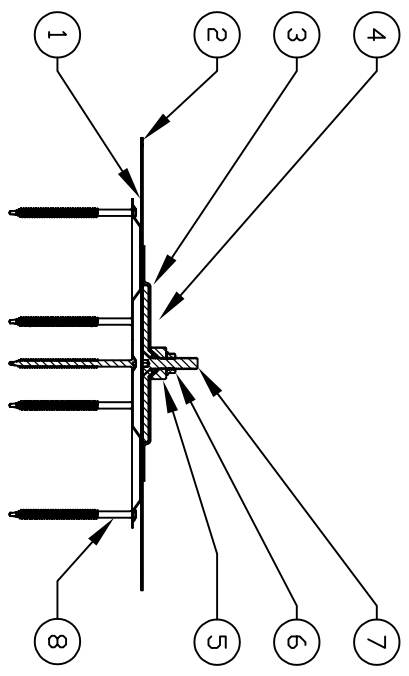
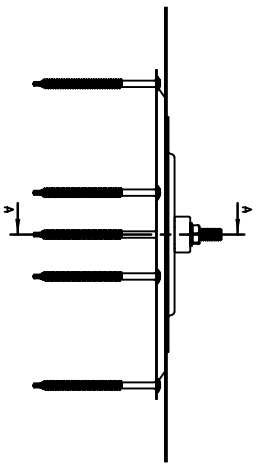
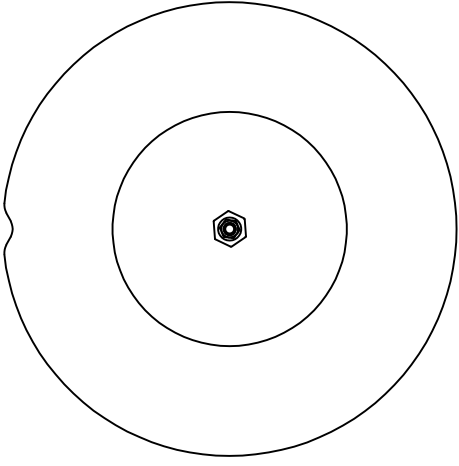
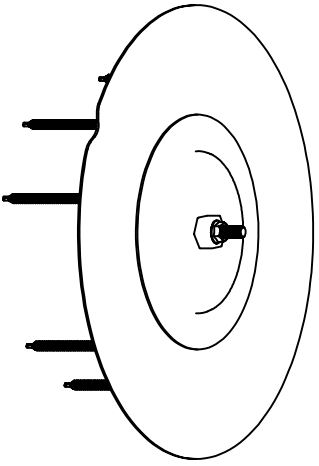


BALLOONS

1. Galvalume Plate with 9 Fastener Holes
2. 14.5" TPD or PVC Bottom Patch Membrane
3. 4.81" Diameter Aluminum Patch Plate
4. 7.5" TPD or PVC Top Patch Membrane
5. Aluminum Hex Supporting Nut
6. S.S Serrated Flange Nut For Tying Down Solar Array
7. 3/8" Flat Head S.S Screw, 1" Exposed Threads
8. Nine (9) DMG Roof Screws Depending On Substrate – Sourced Separately



ALL NINE (9) FASTENERS ARE REQUIRED TO ACHIEVE PERFORMANCE RATING AND WARRANTY CONTINUATION.



OMG Inc.  
153 Bowles Road  
Agawam, MA 01001  
800-433-3800  
www.omgroofing.com

NAME: POWERGRIP PLUS

DRWN. BY: DJB	DATE: 10/07/2021	SKU: PGRPP	SHEET: 1 OF 1
APPD. BY: KK	DATE: 10/07/2021	SCALE: NOT TO SCALE	