



Roofer's Edge

Installation Guide for Roofer's Edge Gravel Stop

4 COMMERCE WAY, ARDEN, NC 28704 USA

800-892-9173 828-676-1700

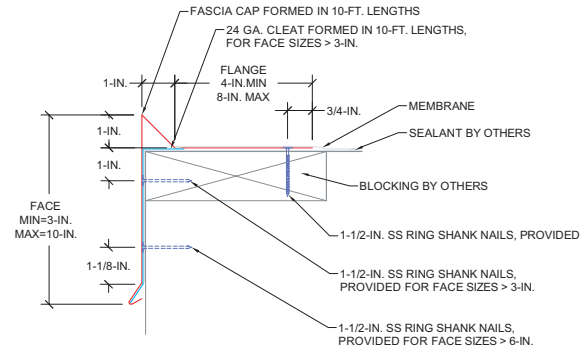
OMGEDGESYSTEMS.COM



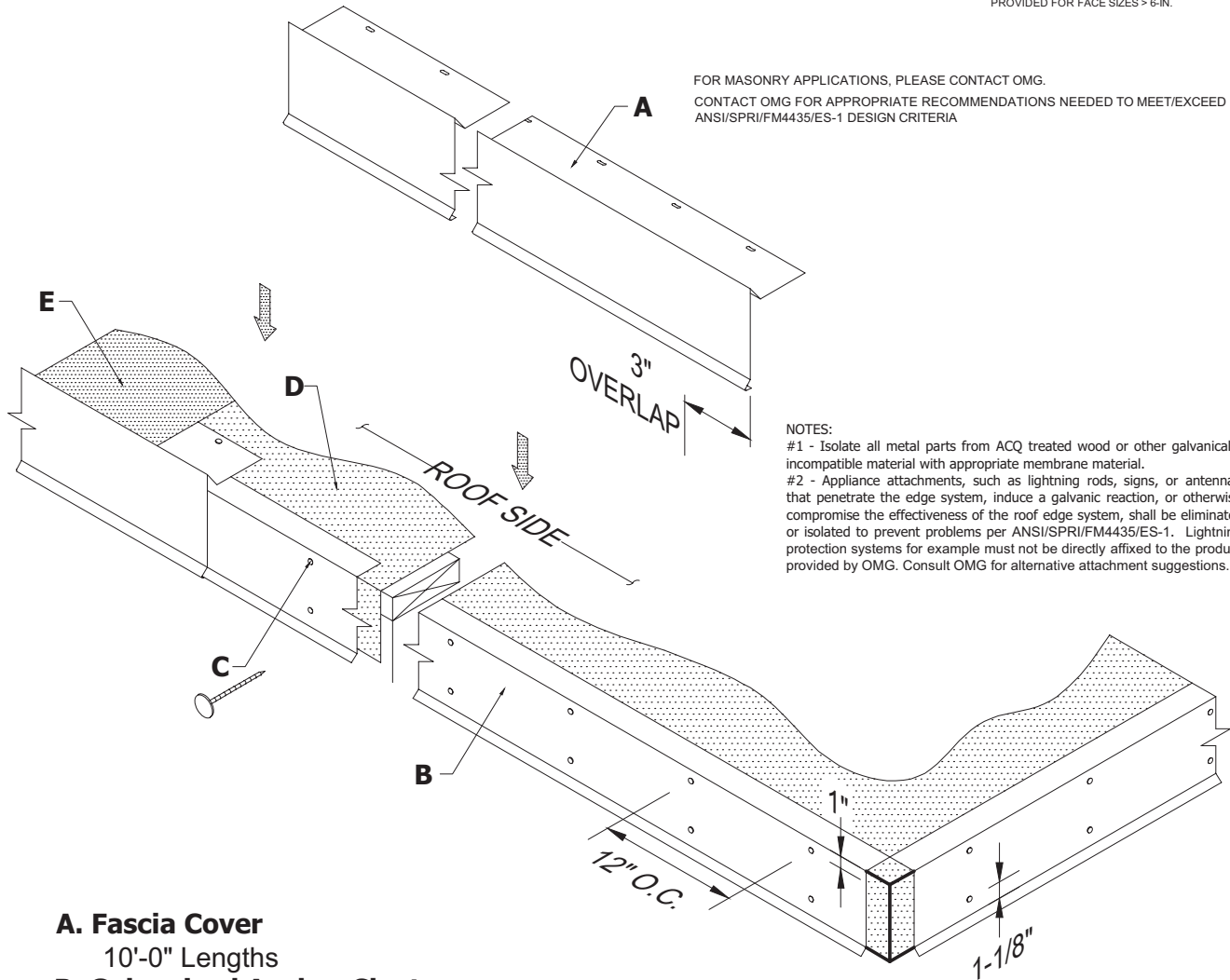
EdgeSystems



Installation Guide for Roofer's Edge Gravel Stop



FOR MASONRY APPLICATIONS, PLEASE CONTACT OMG.
CONTACT OMG FOR APPROPRIATE RECOMMENDATIONS NEEDED TO MEET/EXCEED
ANSI/SPRI/FM4435/ES-1 DESIGN CRITERIA



NOTES:

- #1 - Isolate all metal parts from ACQ treated wood or other galvanically incompatible material with appropriate membrane material.
- #2 - Appliance attachments, such as lightning rods, signs, or antennae that penetrate the edge system, induce a galvanic reaction, or otherwise compromise the effectiveness of the roof edge system, shall be eliminated or isolated to prevent problems per ANSI/SPRI/FM4435/ES-1. Lightning protection systems for example must not be directly affixed to the product provided by OMG. Consult OMG for alternative attachment suggestions.

A. Fascia Cover

10'-0" Lengths

B. Galvanized Anchor Cleat

10'-0" Lengths (only required for > 3" face)

C. 1-1/2" SS Ringshank Nail

6" from ends, 12" O.C.;

1" down from edge for cleat

1-1/8" above bottom bend for cleat (face sizes > 6")

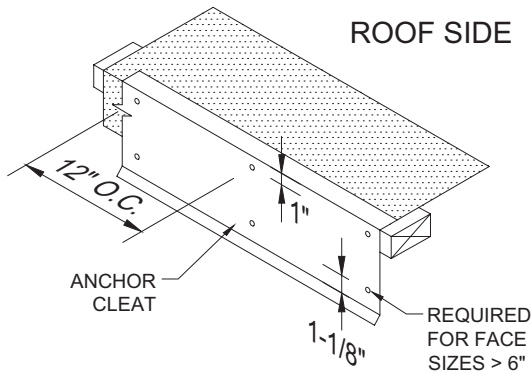
6" from ends, 12" O.C. for cover into pre-punched holes

D. Base Ply

(By Installer)

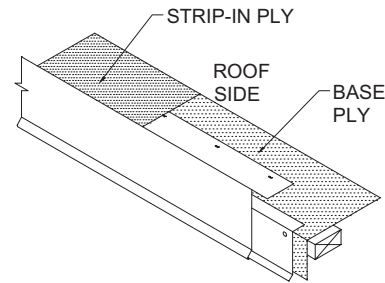
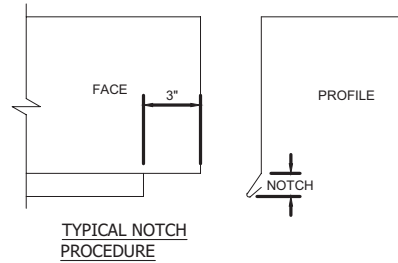
E. Strip-In Ply

(By Installer)

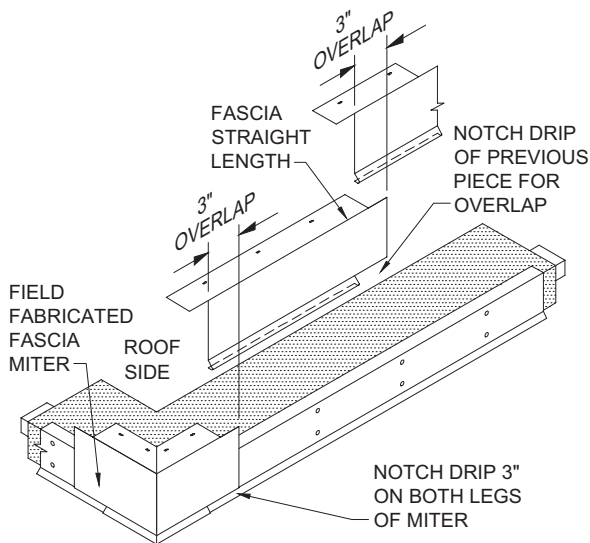


STEP 1: Installing Anchor Cleat
(not required for face sizes $\leq 3"$)

Place the top lip of the continuous anchor cleat squarely on the top edge of the roofing membrane and treated wood nailing plate. Press cleats securely in position and nail through the cleat using 1-1/2" ss ring shank nails provided at the locations shown above and at 12" O.C. The lower row of fasteners are only required for face sizes $> 6"$.



STEP 3: Installing Approved Roofing Membrane
Install roofing membrane per manufacturer's instructions.



STEP 2: Installing Fascia Straight Lengths

Notch each drip of field fabricated miter 3". Then notch the drip of following 10'-0" piece as shown above. Install the fascia by hooking the drip of the fascia onto the kick out of the cleat and rotate back onto the roof. Fasten with 1-1/2" ss ring shank nails provided in each pre-punched hole. Consider lengths of all straight pieces prior to cutting to avoid creating relatively short sections of fascia adjacent to full length sections.

Note: Notch the drip of the 1st pc. to allow overlapping of the next adjacent piece.



4 COMMERCE WAY, ARDEN, NC 28704 USA
800-892-9173 828-676-1700 OMGEDGESYSTEMS.COM
Copyright © 2020 OMG, Inc. All rights reserved.

Superior productivity.
Superior performance.

