



# Roofer's Edge

## Roofer's Edge Drip Fascia

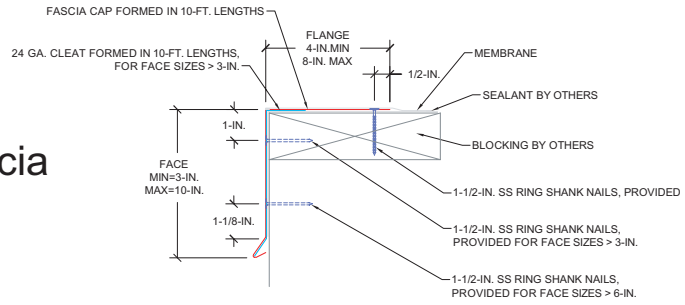
4 COMMERCE WAY, ARDEN, NC 28704 USA  
800-892-9173 828-676-1700  
OMGEDGESYSTEMS.COM



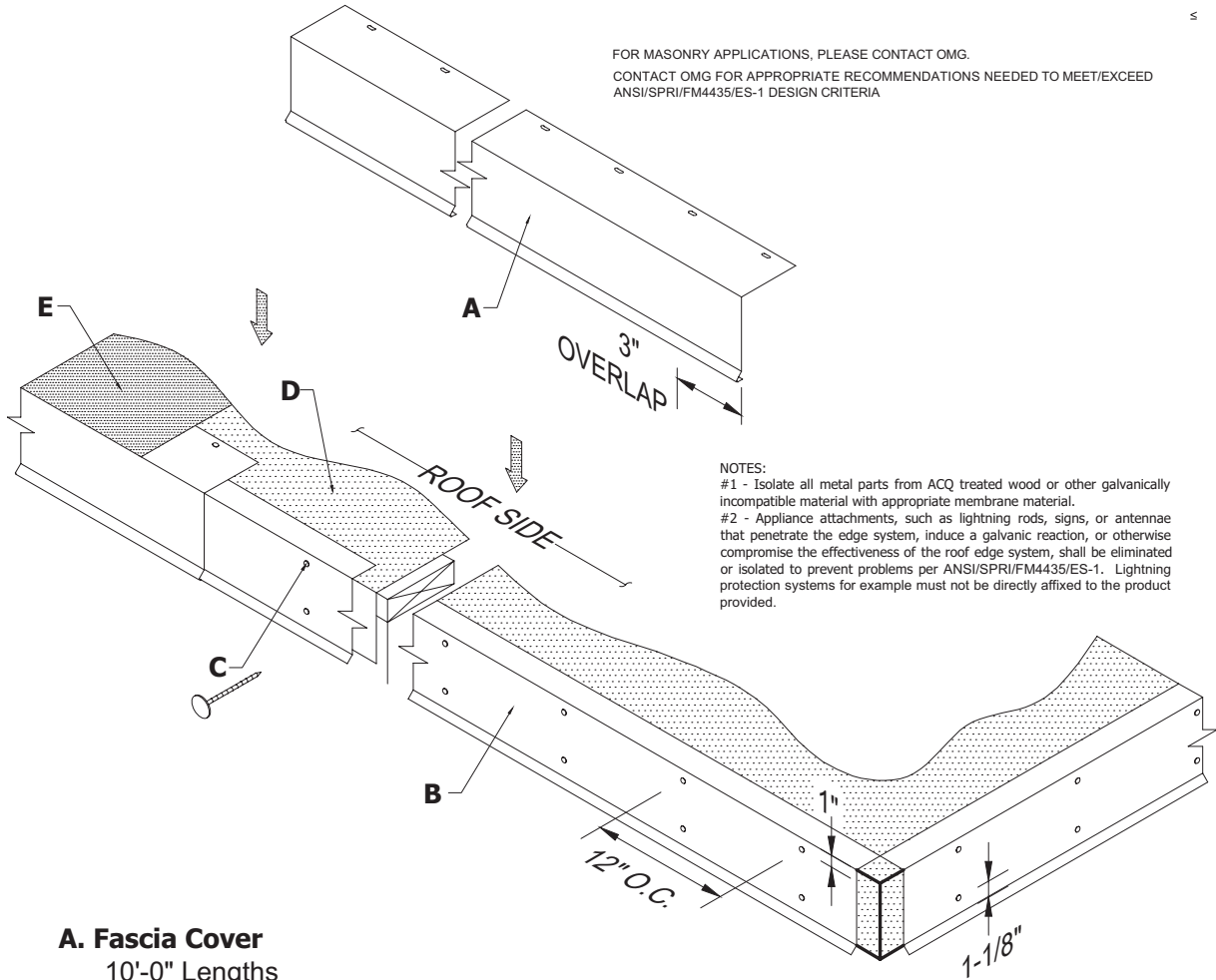
**EdgeSystems**

ANSI/SPRI/FM4435/ES-1 TEST PRESSURES UP TO 266 PSF (HORIZONTAL)

## Installation Guide for Roofer's Edge Drip Fascia



FOR MASONRY APPLICATIONS, PLEASE CONTACT OMG.  
CONTACT OMG FOR APPROPRIATE RECOMMENDATIONS NEEDED TO MEET/EXCEED  
ANSI/SPRI/FM4435/ES-1 DESIGN CRITERIA



NOTES:  
#1 - Isolate all metal parts from ACQ treated wood or other galvanically incompatible material with appropriate membrane material.  
#2 - Appliance attachments, such as lightning rods, signs, or antennae that penetrate the edge system, induce a galvanic reaction, or otherwise compromise the effectiveness of the roof edge system, shall be eliminated or isolated to prevent problems per ANSI/SPRI/FM4435/ES-1. Lightning protection systems for example must not be directly affixed to the product provided.

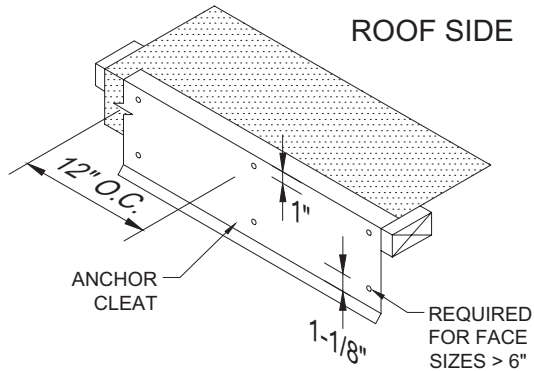
**A. Fascia Cover**  
10'-0" Lengths

**B. Galvanized Anchor Cleat**  
10'-0" Lengths (only required for > 3" face)

**C. 1-1/2" SS Ringshank Nail**  
6" from ends, 12" O.C.;  
1" down from edge for cleat  
1-1/8" above bottom bend for cleat (face sizes > 6")  
6" from ends, 12" O.C. for cover into pre-punched holes

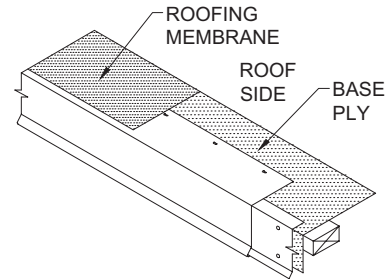
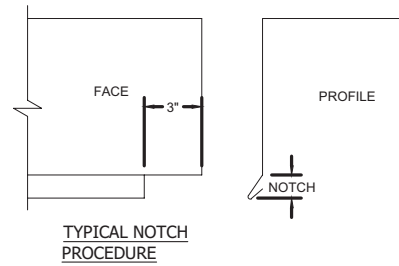
**D. Base Ply**  
(By Installer)

**E. Strip-In Ply**  
(By Installer)



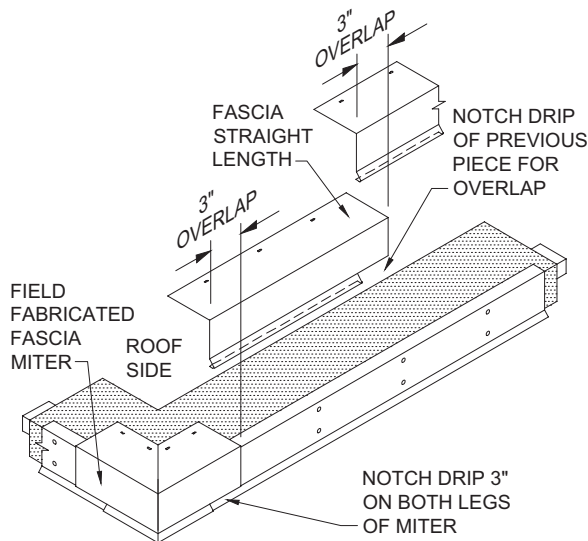
**STEP 1: Installing Anchor Cleat**  
(not required for face sizes  $\leq 3$ " )

Place the top lip of the continuous anchor cleat squarely on the top edge of the roofing membrane and treated wood nailing plate. Press cleats securely in position and nail through the cleat using 1-1/2" ss ring shank nails provided at the locations shown above and at 12" O.C. The lower row of fasteners are only required for face sizes  $> 6$ ".



**STEP 3: Installing Approved Roofing Membrane**

Install roofing membrane per manufacturer's instructions.



**STEP 2: Installing Fascia Straight Lengths**

Notch each drip of field fabricated miter 3". Then notch the drip of following 10'-0" piece as shown above. Install the fascia by hooking the drip of the fascia onto the kick out of the cleat and rotate back onto the roof. Fasten with 1-1/2" ss ring shank nails provided in each pre-punched hole. Consider lengths of all straight pieces prior to cutting to avoid creating relatively short sections of fascia adjacent to full length sections.

**Note: Notch the drip of the 1st pc. to allow overlapping of the next adjacent piece.**



4 COMMERCE WAY, ARDEN, NC 28704 USA  
800-892-9173 828-676-1700 OMGEDGESYSTEMS.COM  
Copyright © 2020 OMG, Inc. All rights reserved.

Superior productivity.  
Superior performance.

