



Roofer's Edge™

Installation Guide for Roofer's Edge Drip Fascia

4 COMMERCE WAY, ARDEN, NC 28704 USA

800-892-9173 828-676-1700

OMGEDGESYSTEMS.COM

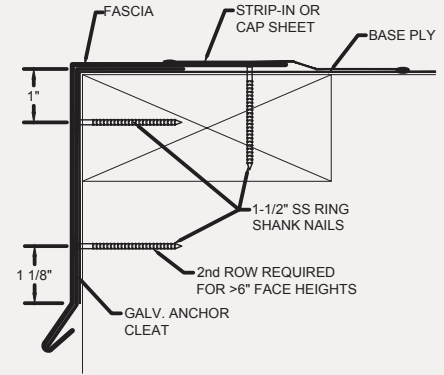


EdgeSystems



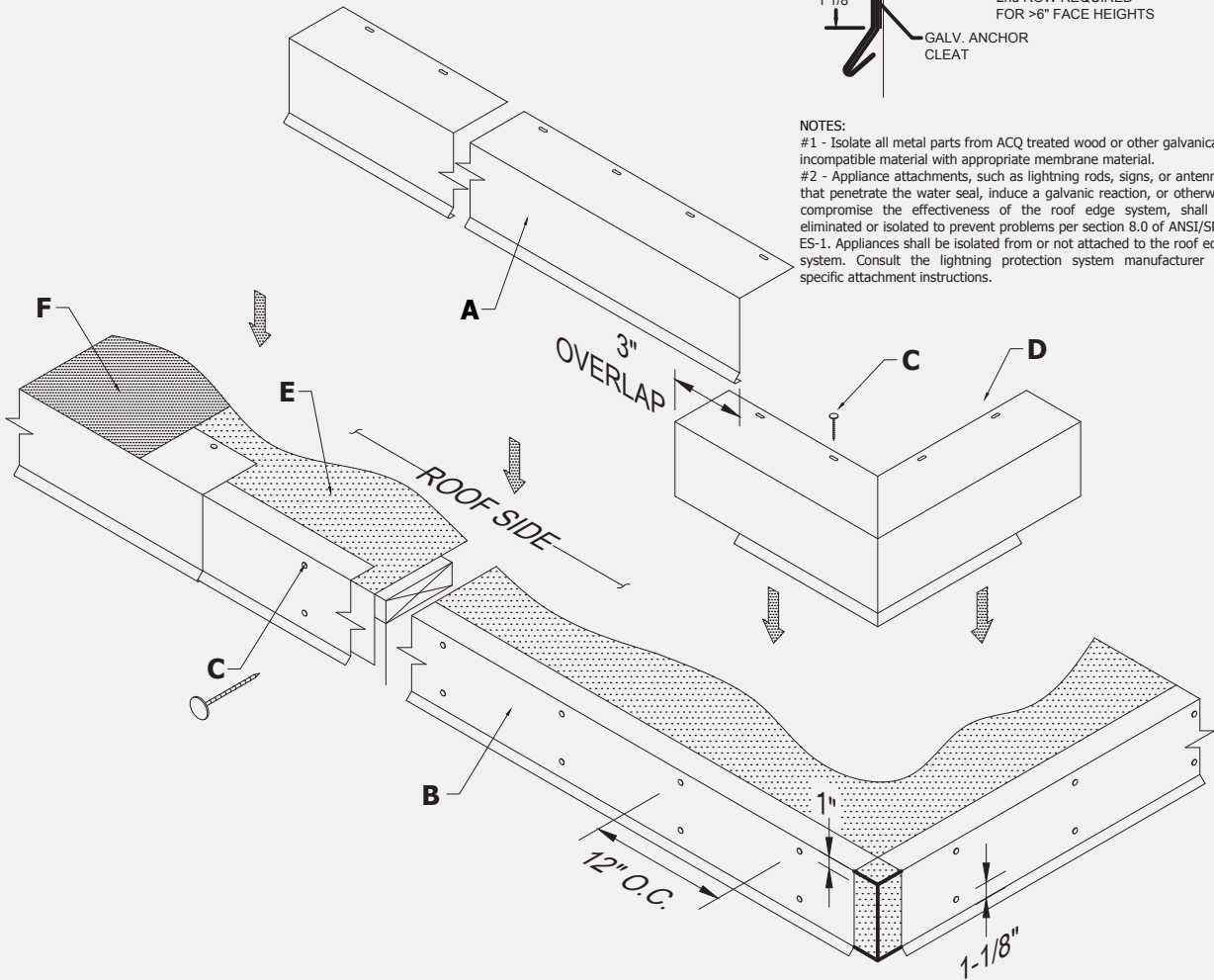
Roofer's Edge™

Installation Guide for Roofer's Edge Drip Fascia



NOTES:

- #1 - Isolate all metal parts from ACQ treated wood or other galvanically incompatible material with appropriate membrane material.
- #2 - Appliance attachments, such as lightning rods, signs, or antennae that penetrate the water seal, induce a galvanic reaction, or otherwise compromise the effectiveness of the roof edge system, shall be eliminated or isolated to prevent problems per section 8.0 of ANSI/SPRI ES-1. Appliances shall be isolated from or not attached to the roof edge system. Consult the lightning protection system manufacturer for specific attachment instructions.



A. Formed Fascia Cover

10'-0" Lengths

B. Galvanized Anchor Cleat

10'-0" Lengths (only required for > 3" face)

C. 1-1/2" SS Ringshank Nail

6" from ends, 12" O.C.;

1" down from edge for cleat

1-1/8" above bottom bend for cleat (face sizes > 6")

6" from ends, 12" O.C. for cover into pre-punched holes

D. Fascia Miter Cover

Field cut and folded
(Outside Corner Shown)

E. Base Ply

(By Installer)

F. Strip-In Ply

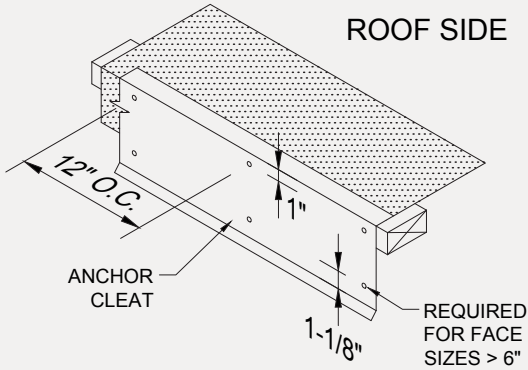
(By Installer)



EdgeSystems

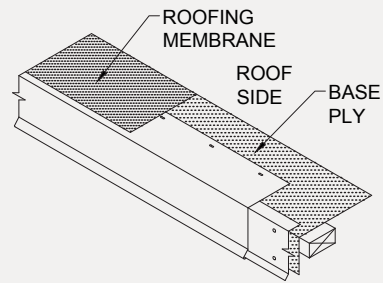
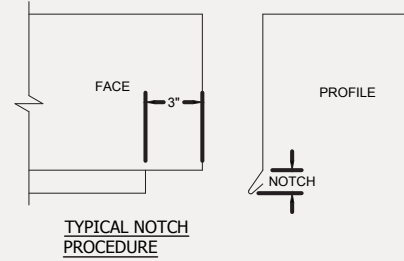


Roofer's Edge™



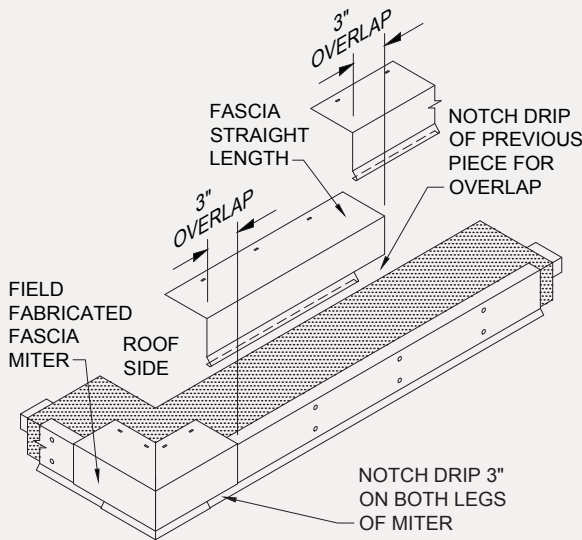
STEP 1: Installing Anchor Cleat (not required for face sizes ≤ 3")

Place the top lip of the continuous anchor cleat squarely on the top edge of the roofing membrane and treated wood nailing plate. Press cleats securely in position and nail through the cleat using 1-1/2" ss ring shank nails provided at the locations shown above and at 12" O.C. The lower row of fasteners are only required for face sizes > 6".



STEP 3: Installing Approved Roofing Membrane

Install roofing membrane per manufacturer's instructions.



STEP 2: Installing Fascia Straight Lengths

Notch each drip of field fabricated miter 3". Then notch the drip of following 10'-0" piece as shown above. Install the fascia by hooking the drip of the fascia onto the kick out of the cleat and rotate back onto the roof. Fasten with 1-1/2" ss ring shank nails provided in each pre-punched hole. Consider lengths of all straight pieces prior to cutting to avoid creating relatively short sections of fascia adjacent to full length sections.

Note: Notch the drip of the 1st pc. to allow overlapping of the next adjacent piece.



EdgeSystems



4 COMMERCE WAY, ARDEN, NC 28704 USA
800-892-9173 828-676-1700 OMGEDGESYSTEMS.COM

Copyright © 2019 OMG, Inc. All rights reserved.

Superior productivity.
Superior performance.

