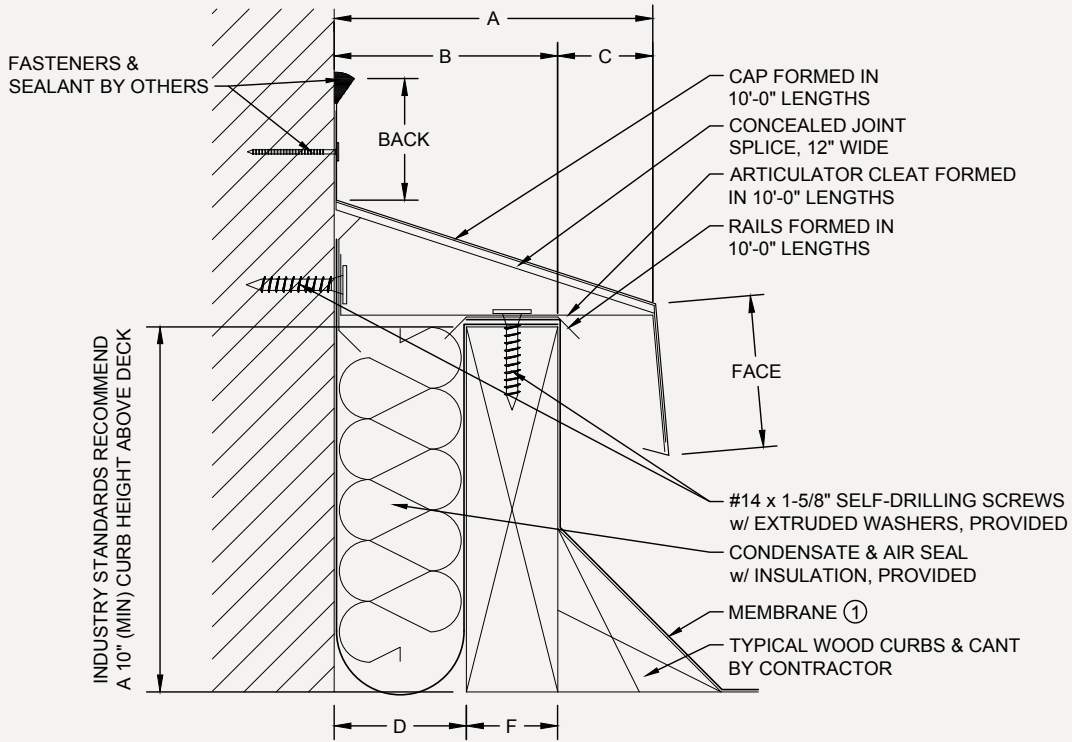





PermaSpan™ Roof to Wall Expansion Joint

ORDER SPECIFICATION FORM



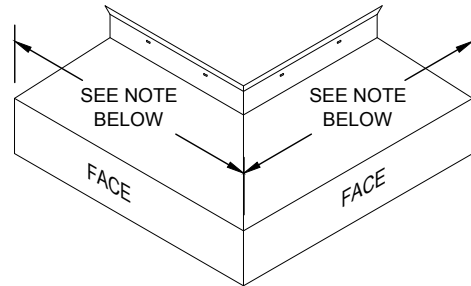
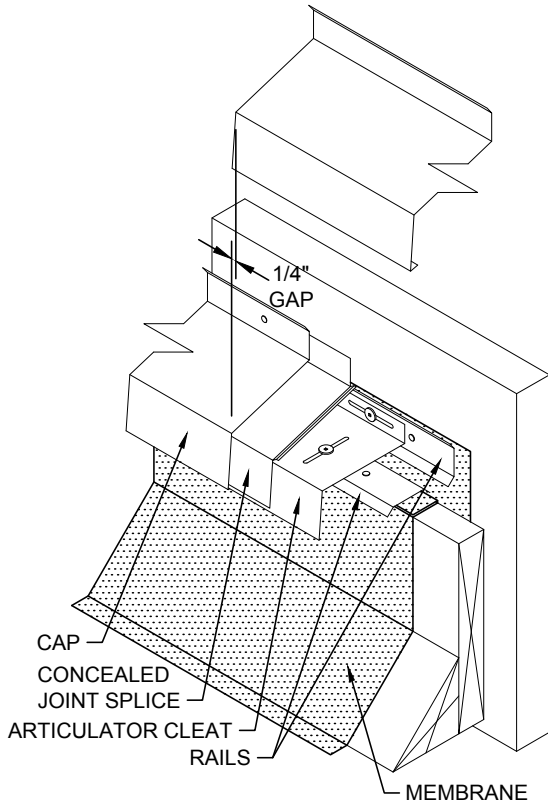
① Coordinate installation with membrane manufacturer.

QUANTITY	CAP MATERIAL	THICKNESS	ACCESSORY TYPE	CAP FINISH
<input type="text"/> Total LF (10' pcs) <input type="text"/> Mitters (<input type="text"/> Outside, <input type="text"/> Inside) <input type="text"/> End Caps (<input type="text"/> Left, <input type="text"/> Right) <input type="text"/> Expansion Joints (If Required) <input type="text"/> Radius LF (5'-0" pcs)	Aluminum Galvanized Stainless Steel COLOR <input type="checkbox"/> _____	0.040 0.050 0.063 0.080 24 Ga. 22 Ga.	Welded Metal-Lok	Mill Finish Prefinished Kynar Post Finished Kynar Prefinished Anodized Post Finished Anodized

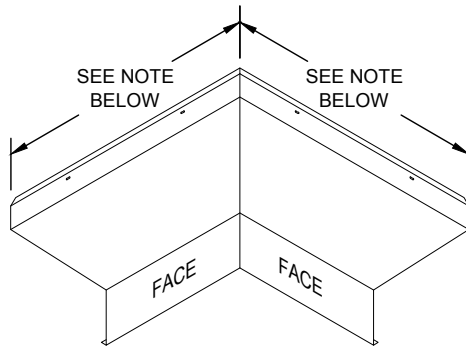
APPROVALS: Contact manufacturer for verification of test report data on your project.		CUSTOMER APPROVAL Authorized Customer Signature	
<div style="border: 1px solid black; padding: 2px; display: inline-block;">ANSI/SPRI/GF-1/Tested</div> <div style="margin-left: 20px;">  </div>		Approved for Fabrication Approved with Changes Not Approved	
		_____ Title	_____ Date
Job Name:	Job #:	By:	
Customer:	Project Location:	Date:	
Representative:	Architect:	Sheet	of



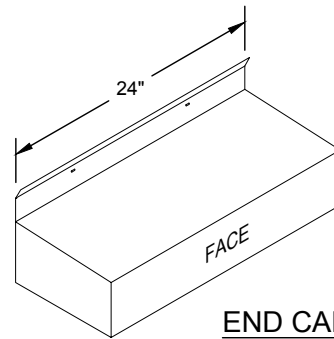
PermaSpan™ Roof to Wall Expansion Joint



OUTSIDE MITER



INSIDE MITER



END CAP
LEFT HAND SHOWN

Standard fascia miter leg lengths: 24" nominal
 Standard fascia miter angle is 90°
 For special miter requirements, attach sketches or consult manufacturer for assistance.



EdgeSystems

4 COMMERCE WAY, ARDEN NC 28704 USA
 800-892-9173 828-676-1700 OMGROOFING.COM

Copyright © 2020 OMG, Inc. All rights reserved.

Superior productivity.
 Superior performance.

