

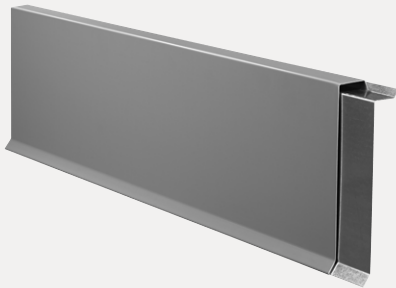


Roofer's Edge™

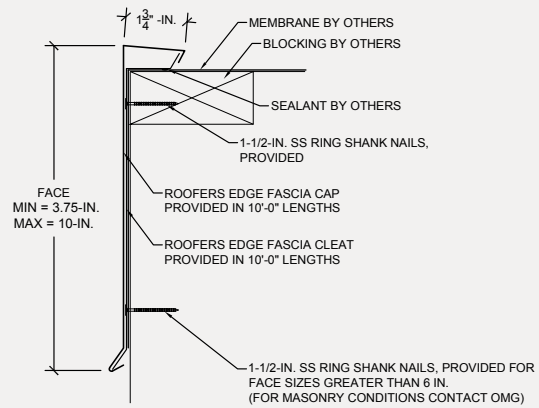
PRODUCT DATA SPECIFICATIONS

PRODUCT DESCRIPTION

Roofer's Edge products are designed for easy application on buildings that don't require Factory Mutual tested or approved edge systems, and serve as the roof's first line of defense against wind and water infiltration. These products are ANSI/SPRI/FM 4435/ES-1 tested, and come with a 15-year warranty for wind speeds up to 90 mph. Roofer's Edge products come in 10-foot lengths, most include 24 Ga. galvanized cleats for easy installation, and are available in your choice of Kynar500 coated .040-inch aluminum, or Kynar500 coated 24 Ga. galvanized steel covers. In addition, Roofer's Edge products come with fasteners, are available with optional face extenders up to eight inches for increased wall coverage, and come in any of OMG's 31 standard and premium colors. **When your project calls for a fast and simple edge product, call for the Roofer's Edge!**



Snap-On Fascia

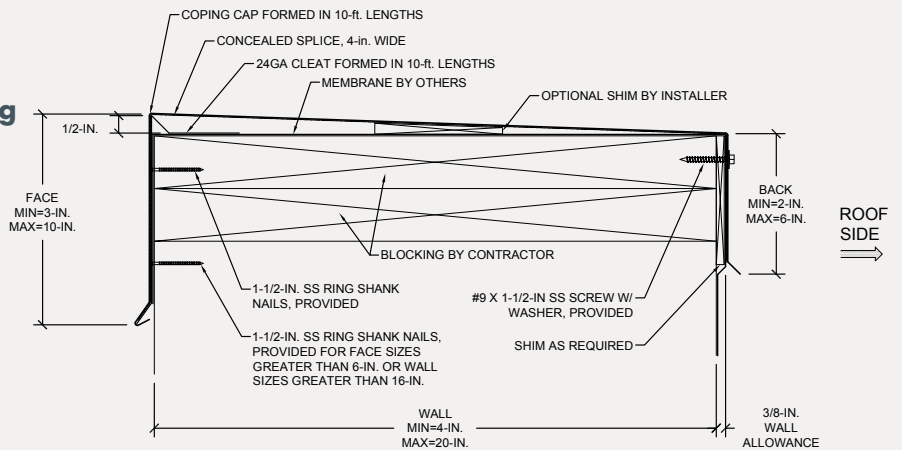


SNAP-ON FASCIA

Snap-On Fascia is designed for use with 60 mil and thinner single-ply roofing systems. The fascia can be made with face heights from 3.75- to 10-inches for maximum nailer coverage and includes a snap-on cover for superior rooftop productivity. Snap-on Fascia covers include a 3/4-inch tall cant for improved aesthetics and engagement with the roof, and hide all fasteners from view.



Coping



COPING

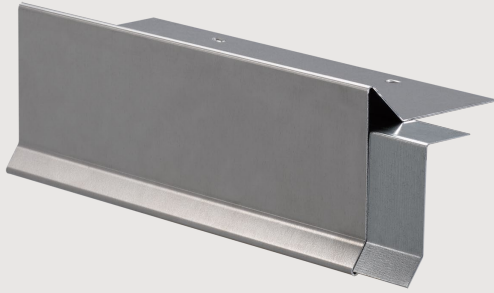
Roofer's Edge Coping is designed for use on parapet walls ranging from 4 to 20 inches wide, and is compatible with all commercial roofing systems. The system includes a continuous galvanized cleat, and can be made with face heights from 3- to 10-inches with back sizes ranging from 2- to 6-inches to accommodate most parapet walls.

In addition, Roofer's Edge Coping caps feature a 5/8-inch angled drip edge for improved water management, and are available with factory fabricated MetalLok inside and outside miters, for a clean finished look.

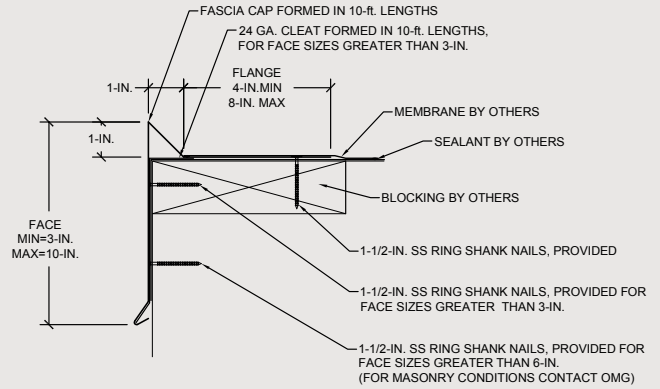


Roofer's Edge™

PRODUCT DATA SPECIFICATIONS



Gravel Stop

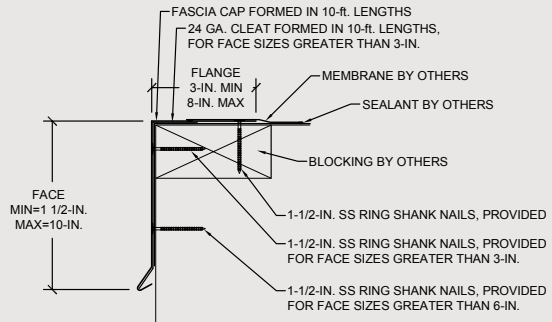


GRAVEL STOP

Roofer's Edge Gravel Stop is designed for use with single-ply roofing systems. Gravel Stop can be made with face heights from 3- to 10-inches for maximum application flexibility. Covers feature an integral 5/8-inch angled drip edge, a 1-inch high cant, and nominal 4-inch deck flange.



Drip Fascia



DRIP FASCIA

Roofer's Edge Drip Fascia is designed for use with all commercial roofing systems. Drip Fascia can be made with face heights from 1.5- to 10-inches for maximum application flexibility. Covers include an integral 5/8-inch angled drip edge, and can be made with a deck flange from 3- to 8-inches wide.



EdgeSystems

4 COMMERCE WAY, ARDEN NC 28704 USA
 800-892-9173 828-676-1700 OMGEDGESYSTEMS.COM

Copyright © 2019 OMG, Inc. All rights reserved.

Superior productivity.
 Superior performance.

