



Extender - Extender with Offset

PRODUCT DATA SPECIFICATIONS

PRODUCT DESCRIPTION

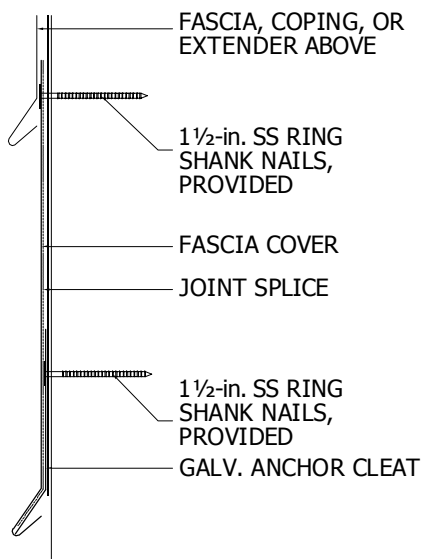
OMG Extenders are easy to install, and consist of a 24 Ga. galvanized continuous cleat and a formed .040 aluminum fascia extender. OMG Extenders are available in 10-ft. lengths and with four face sizes high to accommodate most requirements.

- ANSI/SPRI/FM4435/ES-1 tested and approved.
- 20 year Excel Warranty!

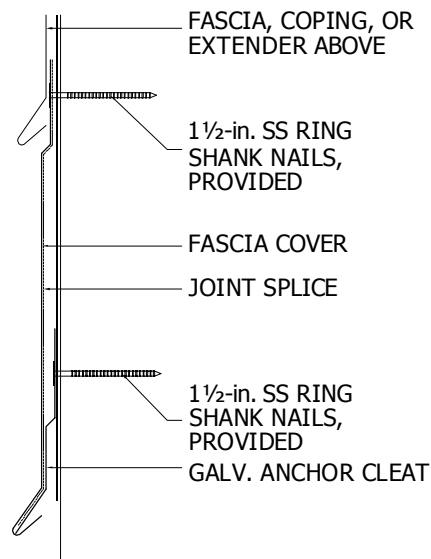
Inside and outside miters and end caps are available and come in standard lengths of 24 inches nominal. Standard fascia miter angle is 90°. Custom miter requirements are also available.

FEATURES & BENEFITS

- ANSI/SPRI/FM4435/ES-1 tested and approved.
- Includes 20-year Excel Warranty for wind speeds up to 110 mph.
- Engineered cleat with locator flange and features pre-punched slotted holes 12 inches OC for easy attachment and installation.
- Optional heavy-duty .050 inches formed aluminum cover available.
- Provided with 1½-in. stainless steel nails.
- Concealed splice plate enhances color continuity, prevents water infiltration at joints and maintains overall professional appearance.



Extender



Extender with Offset





Extender - Extender with Offset

INSTALLATION PROCEDURE

SPECIFICATIONS *(short form)*

The roof edge for single-ply roofing material shall be Extenders as manufactured by OMG, Inc. The Extenders shall be (specify size and/or gauge) with a minimum 24 gauge galvanized steel cleat. Fascia and cleat will be in 10-in. lengths.

DESCRIPTION

Extender is a decorative metal fascia with a continuous galvanized steel cleat designed to elongate the roof edge coverage and terminate singleply roofing at the perimeter.

The system shall be watertight with concealed joint splice plates and no exposed fasteners. Extender is formed from .050- or .063-in. aluminum and 22 Ga. or 24 Ga. Kynar 500® coated galvanized steel.

INSTALLATION PROCEDURES

This is a general outline. Refer to our full installation guide for details.

Preparation:

The roof edge must be level and wood nailers must be straight. Do not distort the vertical face of the cleat. Use shims to keep nailing surface flat. Locate the cleat down from the roof edge being sure that the sufficient room is left for the initial fascia/coping above. Secure the continuous galvanized cleat to the vertical face of the wood nailer using 1½-in. SS ring shank nails provided into each pre-punched hole. Allow 1/8-in. gap between sections for thermal movement. Place a concealed joint splice in each side of the miter. Center the miter over the cleat kick outs and rotate back until Extender is flush with the wall face. Install splice plates

at into one end of the straight sections. Hook each section over the top of the cleat kickout and rotate back until the Extender is flush with the wall face. Allow 1/4-in. gap for expansion. Review lengths of all straight pieces prior to cutting to avoid creating relatively short sections of fascia adjacent to full length sections.

FINISHES

- Natural mill aluminum, stainless steel or copper
- Pre-coat Kynar 500 — from the manufacturer’s standard two color chart
- Non-standard Kynar 500 - colors requiring multiple coatings or protective clear coats
- Anodized aluminum - clear, bronze, and black

GUARANTEE

A. Manufacturer’s Standard Warranty:

Warranted materials shall be free of defects in material and workmanship for five years after shipment. If, after inspection, the manufacturer agrees that materials are defective, the manufacturer shall at their option repair or replace them. For decorative finish warranty, consult manufacturer.

B. Special 20-Year Excel Warranty:

Manufacturer shall guarantee that a standard size roof edge system, when installed per manufacturer’s instructions, will not blow off, leak, or cause membrane failure, even in wind conditions up to 110 mph, or the manufacturer shall replace or repair its materials.

C. Decorative Finish Warranty

(consult Manufacturer).

QUALITY ASSURANCE

The fascia product shall be listed in the current Factory Mutual Research Corporation Approval Guide approved by ANSI/SPRI/FM 4435/ES-1 SPRI Test Method RE-2 Pull-Off test for fascia. Fascia shall be certified by the manufacturer to design pressures as indicated in current edition of Wind Resistance Standard for Edge Systems Used with Low Slope Roofing Systems.

TECHNICAL SERVICES

Shop drawings are available from the factory. Product samples, detail sheets, color chips and color charts are ready for your submittal package. Long form specifications and CAD details are available on our website. For personal assistance with questions or submittals, contact your OMG local representative.



EdgeSystems

4 COMMERCE WAY, ARDEN, NC 28704 USA
800-892-9173 828-676-1700 OMGEDGESYSTEMS.COM

Copyright © 2017 OMG, Inc. All rights reserved. TerminEdge is a trademark of OMG, Inc.

Superior productivity.
Superior performance.

