



Reglet and Flashing

PRODUCT DATA SPECIFICATIONS



Concealed-Mount CMR 575

The surface mounted wall reglet permits fastener concealment under the continuous snap-on flashing skirt. An attractive and weatherproof counter flashing design.



Drive-Lock DLR 625

Two-piece counter flashing system with surface mounted reglet / receiver punched for fastening 12" on center. Snap-on metal skirt flashing can be removed for re-roofing or maintenance. (Thru-Wall Shown)



Surface-Mount SR 50

Standard one-piece design. Sections easily overlap for continuous counter flashing of wall terminated roofing. Fast installation. Pre-punched fastener holes at 12" on center. Custom sizes available on request.



Snap-On Facing FR 225

Continuous wall retainer bar secures roofing to the wall or blocking with fasteners holes 12" on center. Snap-on metal fascia cover conceals fasteners! Attractive clean lines with your choice of 24 standard Kynar 500® colors.



EdgeSystems



Reglet and Flashing

INSTALLATION PROCEDURE

DESCRIPTION

Material:

Reglets are primarily made from mill aluminum or pre-coat Kynar 500® aluminum sheet. The two piece reglet and flashing details are usually fabricated with an .050" (1.25 mm) reglet head and an .032" (0.80 mm) flashing.

Special colors or finishes are available. Finish setups or minimum quantities may be required. Copper or stainless steel reglets by request.

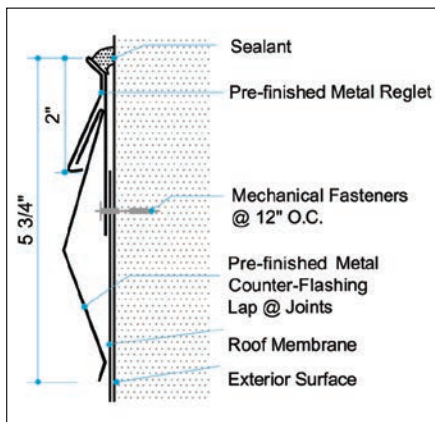
FINISHES

- Natural mill aluminum
- Pre-coat Kynar 500® — from the manufacturer's standard color chart
- Post-coat Kynar 500® — industry standard two coat colors

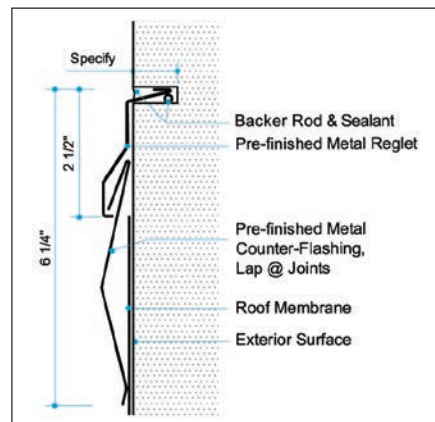
GUARANTEE

A. Manufacturer's Standard Warranty:

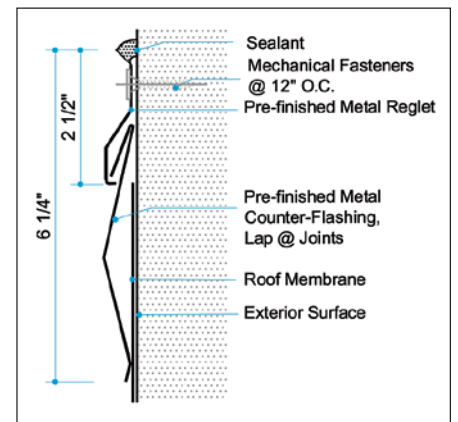
(all reglets): Materials shall be free of defects in material and workmanship for five years after shipment. If, after inspection, the manufacturer agrees that the materials supplied by them are defective, the manufacturer shall at their option repair or replace them. No other warranty expressed or implied.



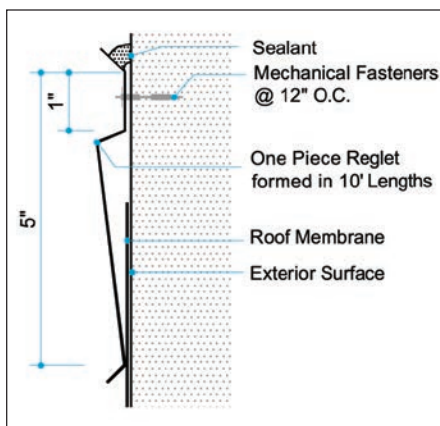
Concealed-Mount CMR 575



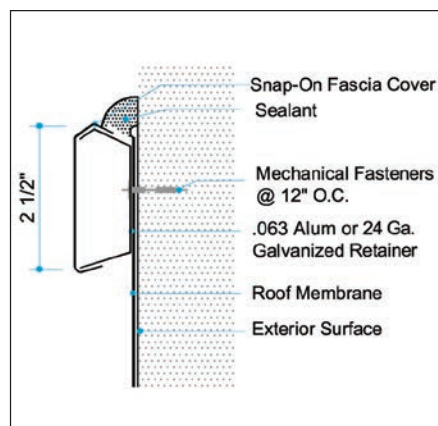
Drive-Lock (In-Wall) DLR 625



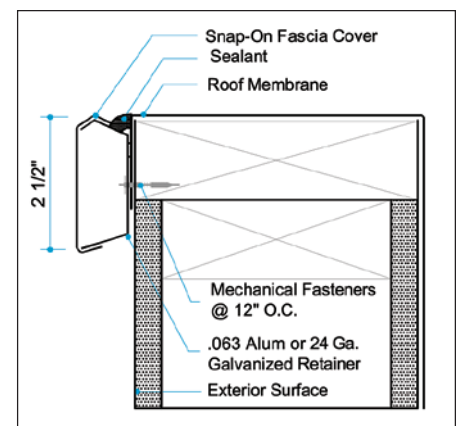
Drive-Lock (To-Wall) DLR 625



Surface-Mount SR 50



Snap-On Facing FR 225
For Vertical Wall Termination



Snap-On Facing FR 225
For Parapet Termination



4 COMMERCE WAY, ARDEN, NC 28704 USA
800-892-9173 828-676-1700 OMGEDGESYSTEMS.COM
Copyright © 2017 OMG, Inc. All rights reserved. TerminEdge is a trademark of OMG, Inc.

Superior productivity.
Superior performance.

