



PermaSnap® & PermaSnap Plus

COPING SYSTEM

COPING SYSTEM

PRODUCT DATA SPECIFICATIONS

PRODUCT DESCRIPTION

OMG PermaSnap Coping is a Factory Mutual tested and approved coping system designed for use on parapet walls up to 32-inches wide. The PermaSnap System includes three components including self-locating pre-punched clips, six-inch wide concealed splices with integral gutter and snap-on coping cap. The dual hook profile provides a clean professional look and offers some of the highest wind protection ratings in the industry: an FM 1-120 rating for walls up to 28-inches wide, and an FM 1-75 rating on walls from 28- to 32-inches wide.

FEATURES & BENEFITS

- ANSI/SPRI/FM 4435/ES-1 tested and approved with ratings to FM 1-120.
- Snap-on design eliminates exposed fasteners for professional look.
- Concealed splices offer an internal drainage system that channels water back onto the roof and eliminates the need for messy caulks or sealants.

- Available in two configurations:
 - PermaSnap comes with 20-gauge galvanized steel clips and a 20-year Excel Warranty for wind speeds to 110 mph.
 - PermaSnap Plus comes with a 16-gauge galvanized steel clips and 25-year warranty for wind speeds to 155 mph.
- Available in a wide selection of standard colors and finishes in 24- or 22-gauge galvanized steel or coated aluminum in .040-, .050-, .063- and .080-inches.
- The system is available with true welded radius, matching corners, end-caps and other factory-fabricated accessories.
- Includes OMG Universal Fasteners for use in steel, wood, and masonry substrates.

APPLICATION

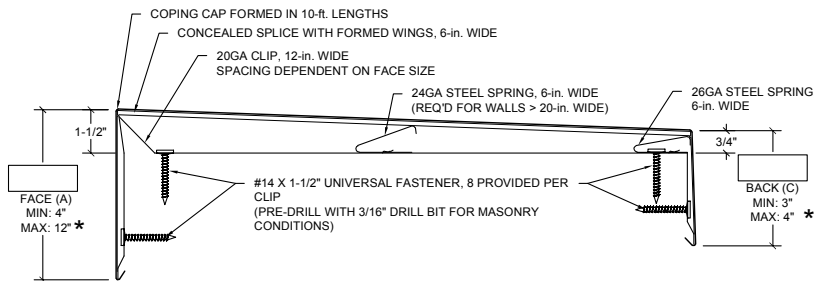
PermaSnap and PermaSnap Plus coping systems are designed for use on parapet walls, and secured in place with OMG Universal Fasteners (pre-drilling is required on masonry substrates).



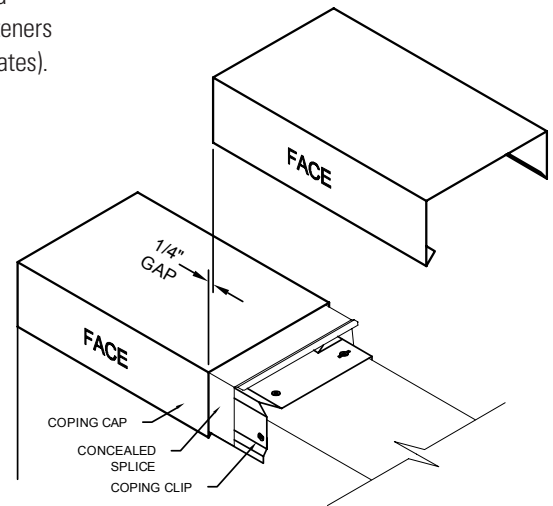
APPROVALS



ANSI/SPRI/FM4435/ES-1 TESTED



*Available in 1/4 inch increments



Wall Sizes	Face Heights	Cap Material	Cap Gauge	Finishes
PermaSnap Coping Wall Sizes 4-in. – 24-in.	4 to 12-in.	Galvanized Steel, Stainless Steel, other materials by request	24 Ga. and 22 Ga. Other thicknesses by request	Mill Finish Manufacturer's Standard Kynar 500® Colors Custom or Exotic Kynar 500 Post-Finished Colors
PermaSnap Plus Coping Wall Sizes 4-in. – 32-in.	4 to 12-in.	Aluminum	.040-in., .050-in., .063-in. and .080-in.	Clear Anodize Bronze Anodize



EdgeSystems



PermaSnap® & PermaSnap Plus

COPING SYSTEM



COPING SYSTEM



INSTALLATION PROCEDURE

SPECIFICATIONS *(short form)*

The PermaSnap coping system as manufactured by OMG EdgeSystems shall be formed Galvanized Steel or Aluminum with allowance for expansion and contraction.

PermaSnap intermittent clips shall be 20 Ga. galvanized steel with pre-slotted fastener holes.

PermaSnap Plus intermittent clips shall be 16 Ga. galvanized steel with pre-slotted fastener holes.

A 6-in. wide concealed splice with an internal drainage system shall channel water back to the roof. The concealed splice will be the same pre-finished material as the coping cap.

DESCRIPTION

Application

The product is a metal snap-on coping with intermittent clips for capping parapet walls. Standard coping is formed from .040-, .050-, .063- or .080-in. aluminum; or 24 Ga. or 22 Ga. galv. steel with Kynar 500® coating; custom metal by request. Standard coping cap length is 10-ft. Clips are 20 Ga. or 16 Ga. galvanized steel. Concealed splices are the same color and finish metal as the coping cap. Coping is fabricated to the wall widths from 4-in. and 32-in. Face and back leg are standard 3-in. nominal length. Custom sizes and materials are available by request.

INSTALLATION PROCEDURES

This is a general outline. Refer to our full installation guide for details.

Preparation:

The substrate should be flat and level from front to back. Shim areas not level.

Procedure:

The first clips placed on wall should have tape peeled of front to attach concealed splices onto them and finally should be placed 2-in. from the end of a wall and at the corners. Follow specific clip center-on-center spacing for straight, radius and vaulted coping lengths per the PermaSnap or PermaSnap Plus installation guide. Install clip sets at all corners and ends first, then work along the wall to the center. Adjust the clip location in the middle of a run to fit a short coping length. This procedure will provide a symmetrical appearance of the installed coping. Hook the face of the coping cap under the outside face leg of the clips, rotate the coping cap over the top of the clips and snap the back leg by pressing down until the hook snaps into place. Leave a ¼-in. gap at each joint for thermal movement.

FINISHES

- Natural mill aluminum
- Pre-coat Kynar 500 — from the manufacturer's standard color chart
- Post-coat Kynar 500 — industry standard two coat colors
- Non-standard Kynar 500 — colors requiring multiple coatings or protective clear coats
- Anodized aluminum – clear, bronze and black

GUARANTEE

A. Manufacturer's Standard Warranty:

Warranted materials shall be free of defects in material and workmanship for five years after shipment. If, after inspection, the manufacturer agrees that materials are defective, the manufacturer shall at their option repair or replace them. For decorative finish warranty, consult manufacturer.

B. Warranty:

Manufacturer shall guarantee that the coping system, when installed per manufacturer's instructions, will not blow off, leak, or cause membrane failure, or the manufacturer shall at their option repair or replace their materials.

PermaSnap - with a 20 Ga. galvanized steel clip is FM Approved with a 20-Year Excel Warranty for wind speeds up to 110 mph.

PermaSnap Plus with a 16 Ga. galvanized steel clip is FM Approved and Category 5, 25-Year, 155 mph Warranty.



C. Decorative Finish Warranty (consult Manufacturer).

QUALITY ASSURANCE

PermaSnap coping shall be listed in the current Factory Mutual Research Corporation Approval Guide approved by ANSI/SPRI/FM 4435/ES-1 SPRI Test Method RE-3 for coping. The PermaSnap coping system has been tested simultaneously on the horizontal and vertical surfaces and has exceeded design wind pressure as calculated in accordance with the current edition of ANSI/SPRI/FM 4435/ES-1 "Wind Design Standard for Edge Systems used with Low Slope Roofing Systems".

TECHNICAL SERVICES

Shop drawings are available from the factory. Product samples, detail sheets, color chips and color charts are ready for your submittal package. Long form specifications and CAD details are available on our website. For personal assistance with questions or submittals, contact your local OMG Edge Systems representative.



EdgeSystems

4 COMMERCE WAY, ARDEN, NC 28704 USA
800-892-9173 828-676-1700 OMGEDGESYSTEMS.COM

Copyright © 2018 OMG, Inc. All rights reserved.

Superior productivity.
Superior performance.

