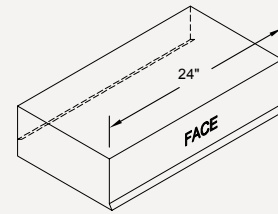
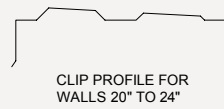
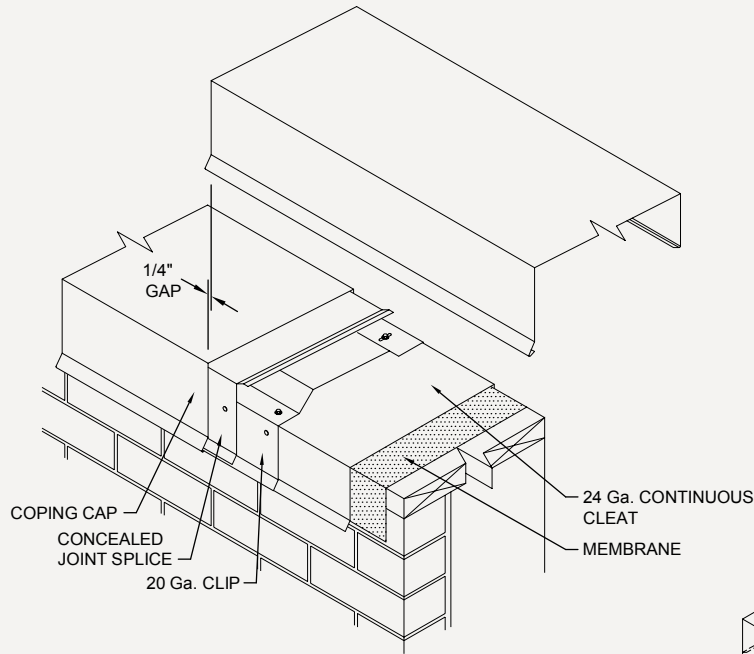




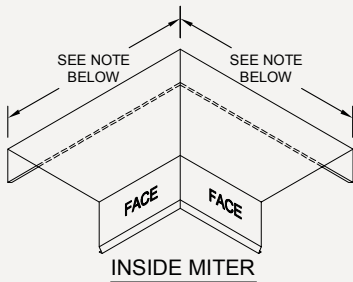


# Continuous Cleat

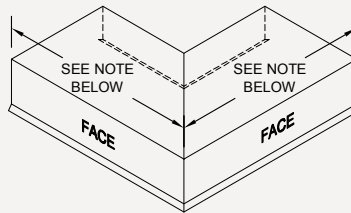
Intermittent Clip with a Continuous Cleat.



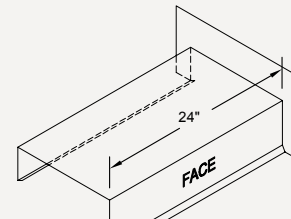
**END CAP**  
LEFT HAND SHOWN



**INSIDE MITER**



**OUTSIDE MITER**



**END TERM**  
RIGHT HAND SHOWN

Standard coping miter leg lengths:  
 23-1/4" for 7-1/2" to 16" wall widths  
 29-1/4" 16" to 23" wall widths  
 custom lengths for wall widths > 23"  
 Standard coping miter angle is 90°  
 For special miter requirements, attach sketches or consult manufacturer for assistance.



## EdgeSystems

4 COMMERCE WAY, ARDEN NC 28704 USA  
 800-892-9173 828-676-1700 [OMGROOFING.COM](http://OMGROOFING.COM)

Copyright © 2020 OMG, Inc. All rights reserved.

Superior productivity.  
 Superior performance.

