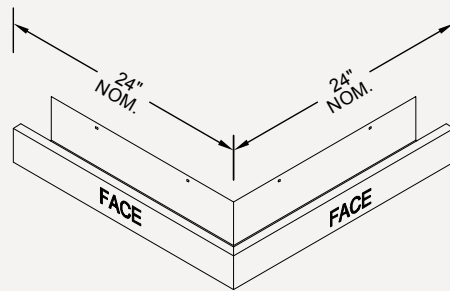
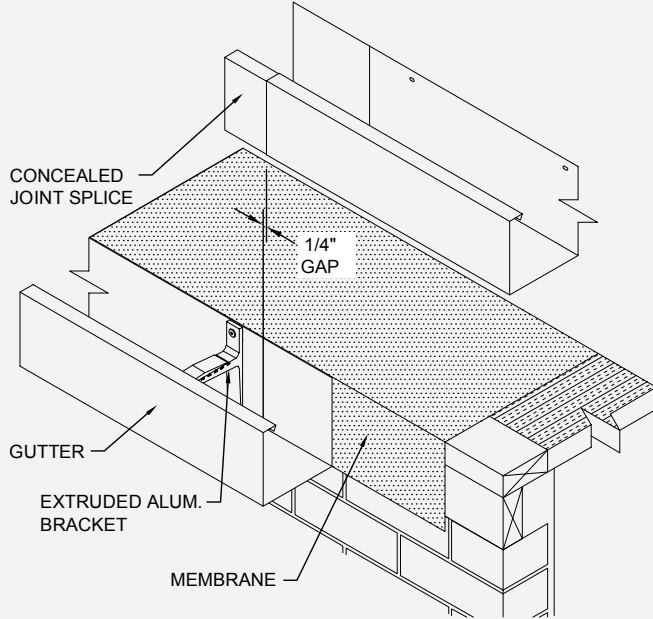
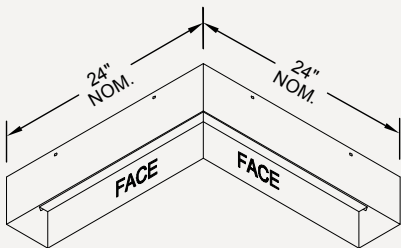




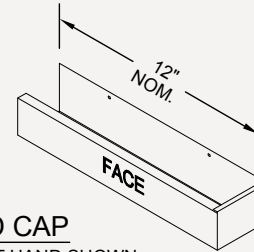
Wind Resistant Box Gutter



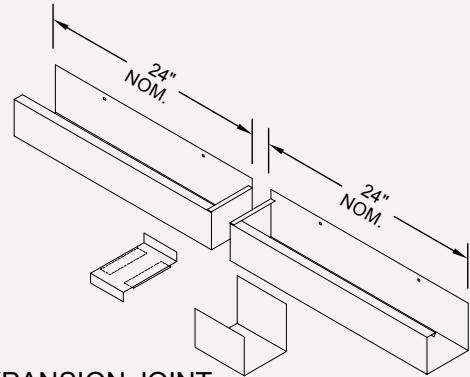
OUTSIDE MITER



INSIDE MITER



END CAP
RIGHT HAND SHOWN



EXPANSION JOINT
(IF REQUIRED)

Standard gutter miter leg lengths are 24" Nominal
 Standard gutter miter angle is 90°
 For special miter requirements, attach sketches or consult manufacturer for assistance.



EdgeSystems

4 COMMERCE WAY, ARDEN NC 28704 USA
 800-892-9173 828-676-1700 OMGROOFING.COM

Copyright © 2020 OMG, Inc. All rights reserved.

Superior productivity.
 Superior performance.

