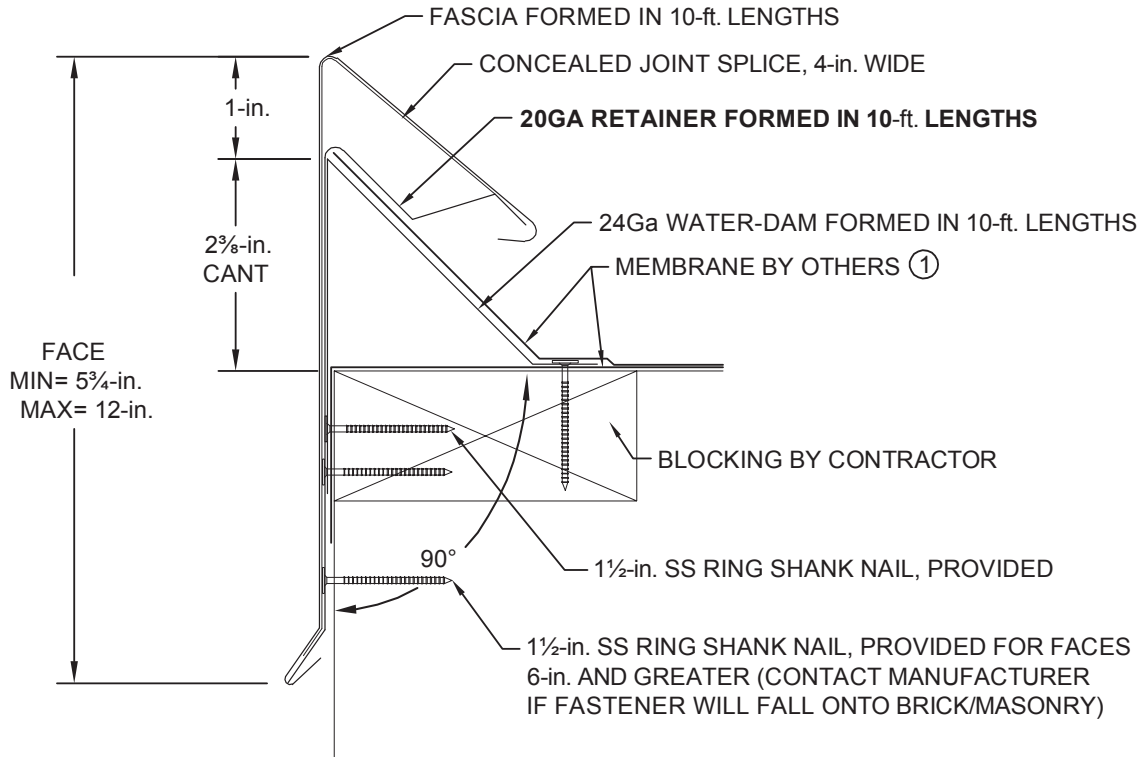




# SafeGuard NP Fascia

## Order Specification Form



① Coordinate installation with membrane manufacturer.

QUANTITY		CAP MATERIAL		THICKNESS	COLOR	CAP FINISH		
___	Total LF	___	Transition Miters	<input type="checkbox"/> Aluminum <input type="checkbox"/> Galvanized <input type="checkbox"/> Stainless Steel <input type="checkbox"/> _____	<input type="checkbox"/> 0.050 <input type="checkbox"/> 0.063 <input type="checkbox"/> 0.080 <input type="checkbox"/> 24Ga <input type="checkbox"/> 22Ga <input type="checkbox"/> _____	<input type="checkbox"/> Statuary Bronze (A-01) <input type="checkbox"/> Bone White (A-23) <input type="checkbox"/> Concord Cream (A-02) <input type="checkbox"/> Medium Bronze (A-05) <input type="checkbox"/> Sandstone (A-06) <input type="checkbox"/> Dove Gray (A-09) <input type="checkbox"/> Sierra Tan (A-26) <input type="checkbox"/> _____	<input type="checkbox"/> Mill Finish <input type="checkbox"/> Prefinished Kynar <input type="checkbox"/> Post Finished Kynar <input type="checkbox"/> Prefinished Anodized <input type="checkbox"/> Post Finished Anodized <input type="checkbox"/> _____	
___	Miters (___ Outside, ___ Inside)	___	Ridge Miters					<b>ACCESSORY TYPE</b> <input type="checkbox"/> Welded <input type="checkbox"/> Metal-Lok
___	End Caps (___ Left, ___ Right)	___	Valley Miters					
___	End Terms (___ Left, ___ Right)	___	Special Corners					
___	Radius LF							
___	Sumps							
___	Spillouts							

0.063 prefinished Kynar is only available in Statuary Bronze, Medium Bronze, Sandstone, Dove Gray, Ascot White, Forest Green & Bone White.  
22Ga Prefinished Kynar is only available in Statuary Bronze, Medium Bronze, Shale Gray, Forest Green & Bone White.

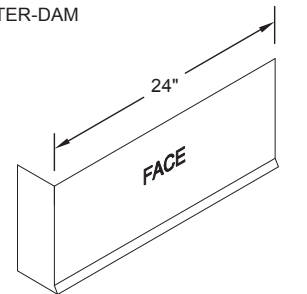
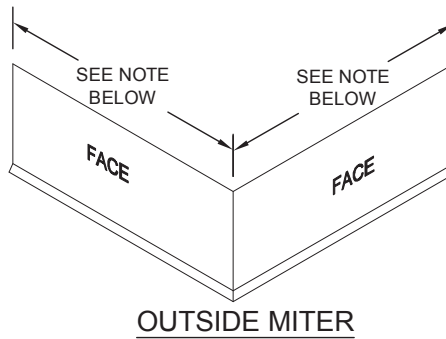
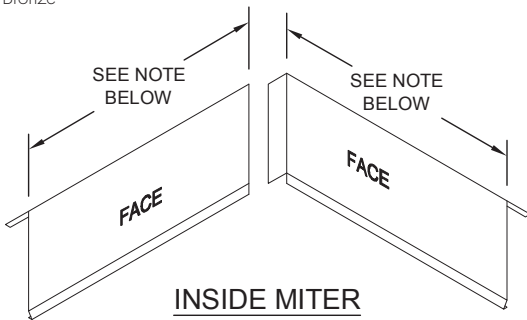
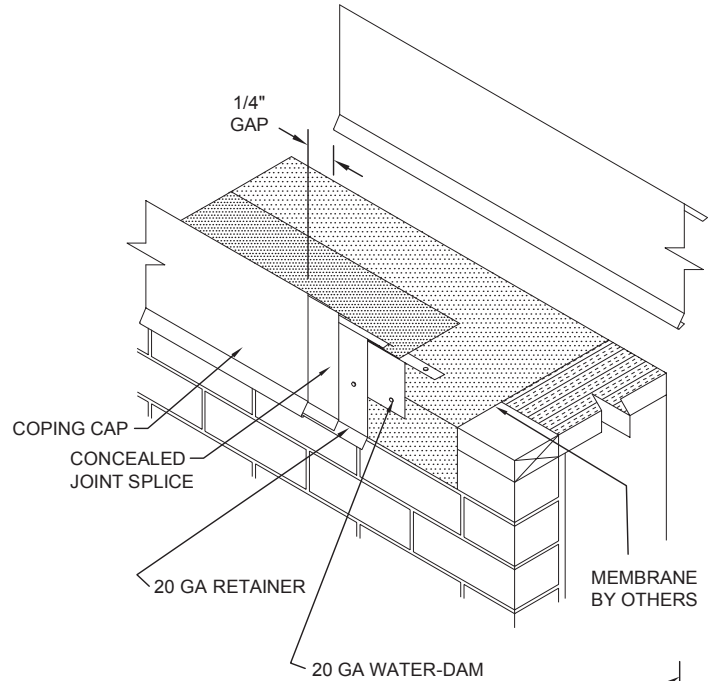
<b>APPROVALS:</b> Contact manufacturer for verification of test report data on your project.		<b>CUSTOMER APPROVAL</b>	
		<input type="checkbox"/> Approved for Fabrication <input type="checkbox"/> Approved with Changes <input type="checkbox"/> Not Approved	_____ Authorized Customer Signature  Title _____ Date _____
Job Name:	Job #:	By:	
Customer:	Project Location:	Date:	
Representative:	Architect:	Sheet of	



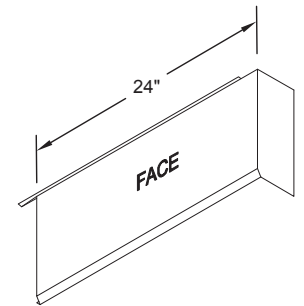
# SafeGuard NP Fascia

## STANDARD COLORS - Other Colors Available

Ascot White	Bone White	Dove Gray	Silversmith	Shale Gray
Rocky Gray	Sandstone	Champagne	Titanium	Charcoal Gray
Concord Cream	Rawhide	Sierra Tan	Coppertone	Mission Red
Bright Red	Redwood	Boysenberry	Chocolate Brown	Antique Patina
Siam Blue	Slate Blue	Turquoise	Regal Blue	Statuary Bronze
Black	Hemlock Green	Patina Green	Forest Green	Hartford Green
	<b>* Premium Colors</b>			
Medium Bronze				



END CAP  
LEFT HAND SHOWN



END TERM  
RIGHT HAND SHOWN

Standard coping miter leg lengths:  
 23 1/4-in. for 6-in. to 16-in. wall widths  
 29 1/4-in. 16-in. to 23-in. wall widths  
 custom lengths for wall widths > 23-in.  
 Standard coping miter angle is 90°  
 For special miter requirements, attach sketches or consult manufacturer for assistance.  
 Refer to Installation Guide for Clip Spacing



Superior productivity.  
Superior performance.

4 COMMERCE WAY, ARDEN, NC 28704 USA#  
800-892-9173 828-676-1700 OMGEDGESYSTEMS.COM  
Copyright © 2019 OMG, Inc. All rights reserved.

