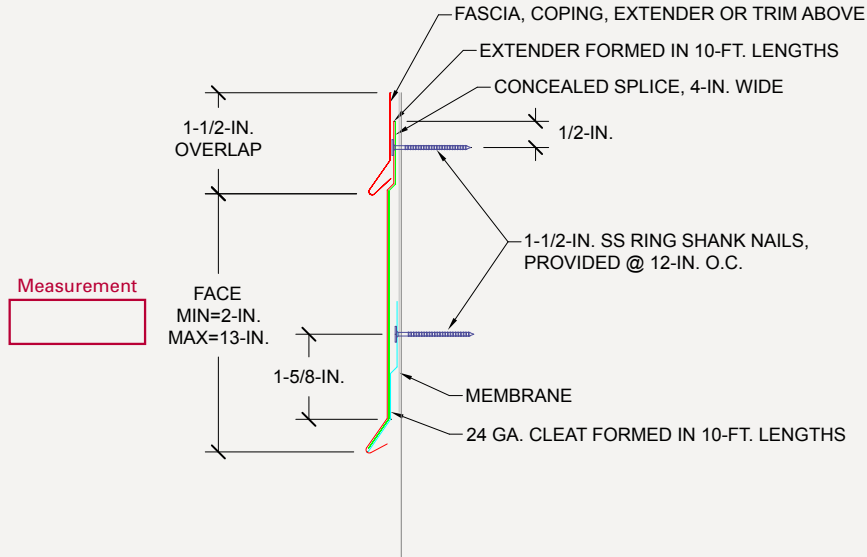




Extender with Offset for non-standard height fascia.

ORDER SPECIFICATION FORM

ANSI/SPRI/FM4435/ES-1 TEST PRESSURES UP TO 107 PSF (HORIZONTAL)



FOR MASONRY APPLICATIONS, PLEASE CONTACT OMG.

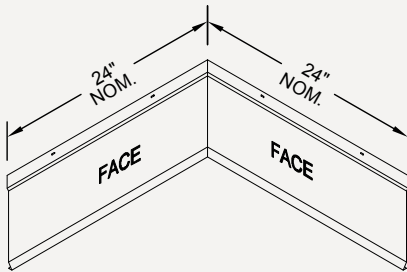
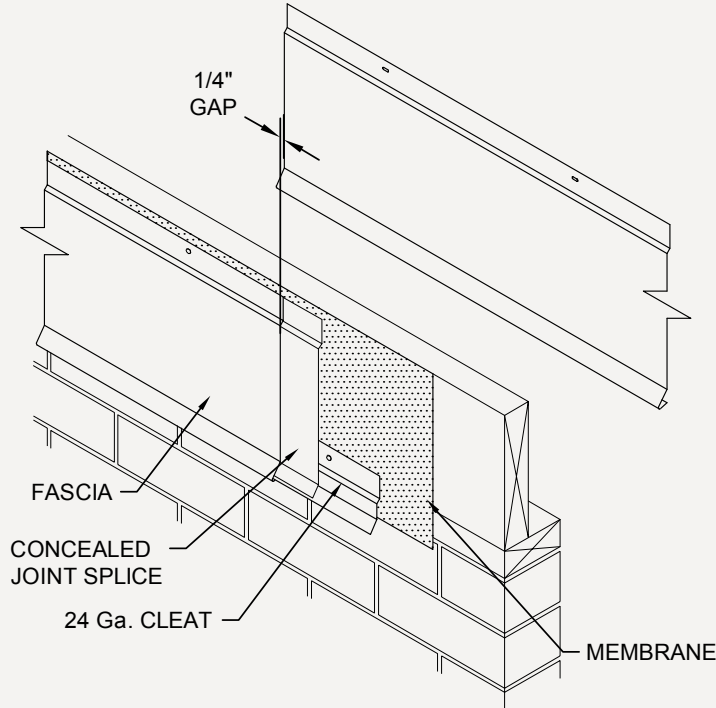
CONTACT OMG FOR APPROPRIATE RECOMMENDATIONS NEEDED TO MEET/EXCEED ANSI/SPRI/FM4435/ES-1 DESIGN CRITERIA

APPROVALS		COVER MATERIAL	THICKNESS	COVER FINISH
Florida Product Approval		Aluminum Galvanized Steel Stainless Steel	24Ga. 22Ga. .040 in. .050 in. .063 in.	Mill Prefinished Kynar Premium Prefinished Kynar Post Finished Kynar Prefinished Anodized Post Finished Anodized
QUANTITY		ACCESSORY TYPE		
_____ Straight Length _____ Total Miters (Inside: _____ / Outside: _____) _____ Total End Caps (Left: _____ / Right: _____) _____ Total End Terms (Left: _____ / Right: _____) _____ Radius Notched _____ Radius to Straight Miter Notched _____ Radius End Cap _____ Vault Welded _____ Vault to Straight Miter Welded _____ Vault End Cap _____ Z-Miter _____ Ridge Miter _____ Valley Miter _____ Sumps _____ Spillouts		Welded Folded		
FACE HEIGHT		CUSTOMER APPROVAL		
_____		Approved for Fabrication Approved with Changes Not Approved		
COLOR		_____ Authorized Customer Signature		
_____		Title _____ Date _____		
		Job Name: _____		
		Project Location: _____		
		Customer: _____		
		Representative: _____		

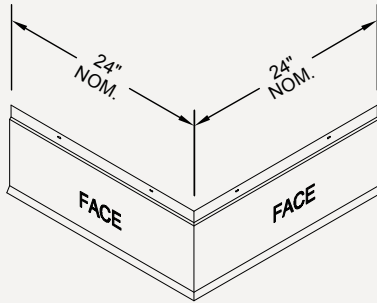




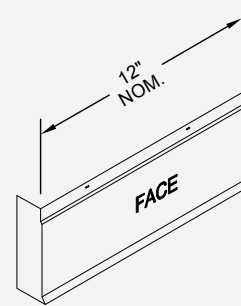
Extender with Offset for non-standard height fascia.



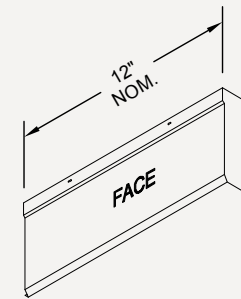
INSIDE MITER



OUTSIDE MITER



END CAP
LEFT HAND SHOWN



END TERM
RIGHT HAND SHOWN

Standard fascia miter leg lengths are 24" nominal
 Standard fascia miter angle is 90°
 For special miter requirements, attach sketches or consult manufacturer for assistance.



EdgeSystems

4 COMMERCE WAY, ARDEN NC 28704 USA
 800-892-9173 828-676-1700 OMGROOFING.COM

Copyright © 2020 OMG, Inc. All rights reserved.

Superior productivity.
 Superior performance.

