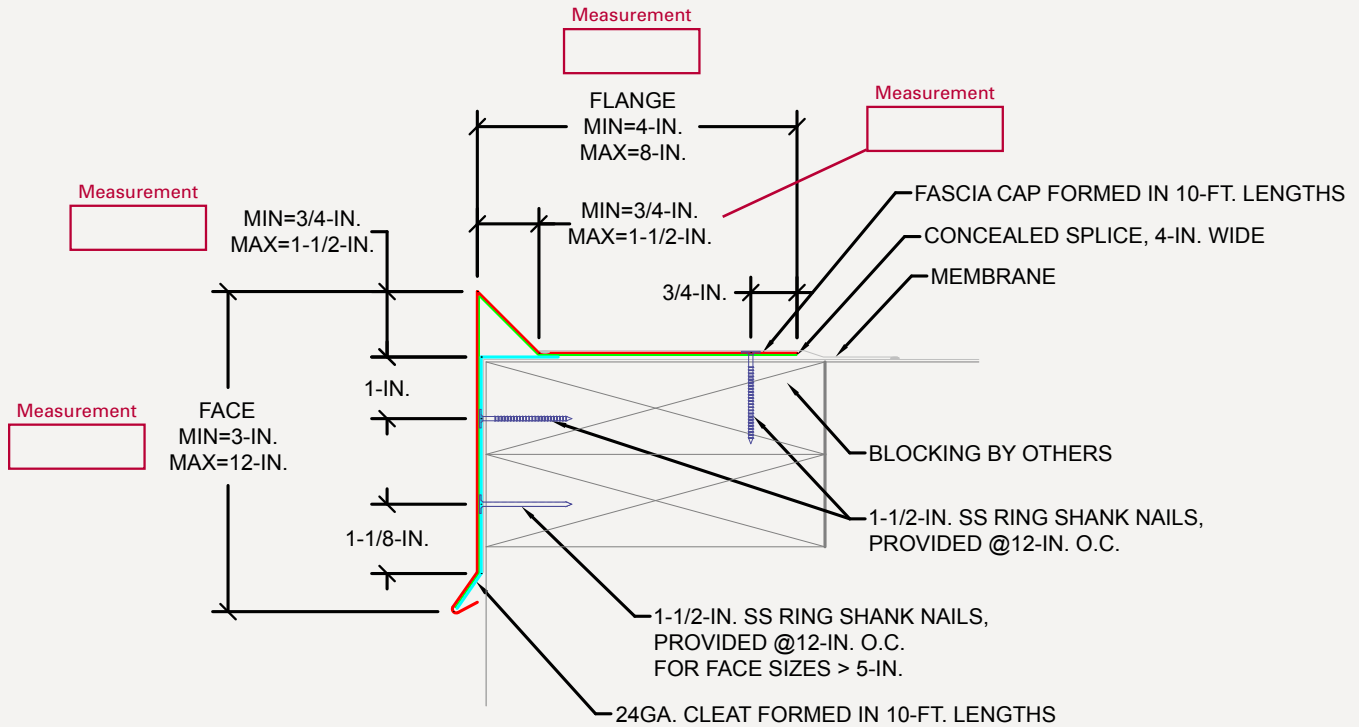




Gravel Stop Fascia

ORDER SPECIFICATION FORM

ANSI/SPRI/FM4435/ES-1 TEST PRESSURES UP TO 247 PSF (HORIZONTAL)



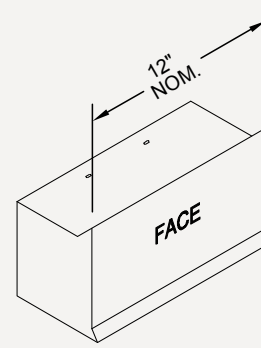
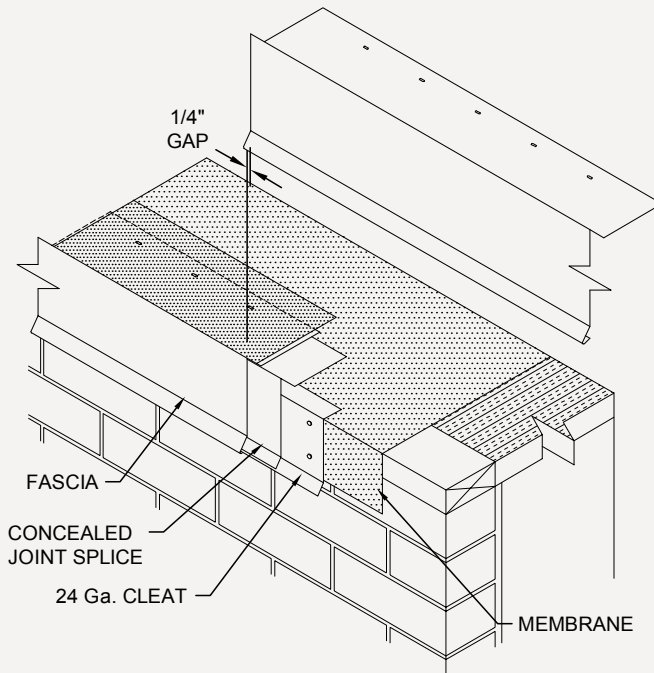
FOR MASONRY APPLICATIONS, PLEASE CONTACT US.

CONTACT US FOR APPROPRIATE RECOMMENDATIONS NEEDED TO MEET/EXCEED ANSI/SPRI/FM4435/ES-1 DESIGN CRITERIA

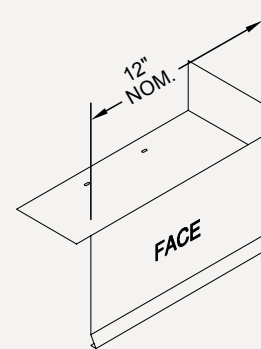
APPROVALS		COVER MATERIAL	THICKNESS	COVER FINISH
Florida Product Approval		Aluminum Galvanized Steel Stainless Steel	24Ga. 22Ga. .040 in. .050 in. .063 in.	Mill Prefinished Kynar Premium Prefinished Kynar Post Finished Kynar Prefinished Anodized Post Finished Anodized
QUANTITY		ACCESSORY TYPE	CUSTOMER APPROVAL	
_____ Straight Length _____ Total Miters (Inside: _____ / Outside: _____) _____ Total End Caps (Left: _____ / Right: _____) _____ Total End Terms (Left: _____ / Right: _____) _____ Radius Notched _____ Radius to Straight Miter Notched _____ Radius End Cap _____ Vault Welded _____ Vault to Straight Miter Welded _____ Vault End Cap _____ Z-Miter _____ Ridge Miter _____ Valley Miter _____ Sumps _____ Spillouts		Welded Folded	Approved for Fabrication Approved with Changes Not Approved	
FACE HEIGHT _____		Authorized Customer Signature _____ Title _____ Date _____		
COLOR _____		Job Name: _____ Project Location: _____ Customer: _____ Representative: _____		



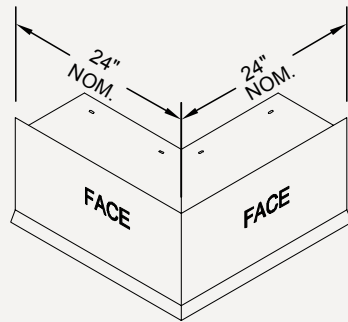
Gravel Stop Fascia



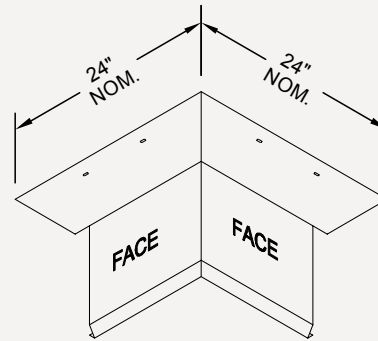
END CAP
LEFT HAND SHOWN



END TERM
RIGHT HAND SHOWN



OUTSIDE MITER



INSIDE MITER

Standard fascia miter leg lengths are 24" nominal
 Standard fascia miter angle is 90°
 For special miter requirements, attach sketches or consult manufacturer for assistance.



EdgeSystems

4 COMMERCE WAY, ARDEN NC 28704 USA
 800-892-9173 828-676-1700 OMGROOFING.COM

Copyright © 2020 OMG, Inc. All rights reserved.

Superior productivity.
 Superior performance.

