



Sump RetroDrain™

INSULATED SUMP WITH ROOF DRAIN

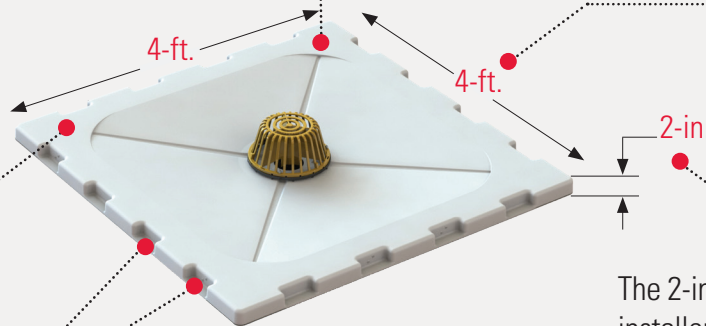
PRODUCT BENEFITS

OMG Sump RetroDrain eliminates the labor-intensive, multi-step process of field fabricating a drain sump, and installing or re-working a drain. With OMG's Sump RetroDrain you get both the drain and sump in one easy to install product for enhanced rooftop productivity and a quality installation that reduces the probability of flashing leaks.

Rounded corners allow a continuous weld using a hand welder.

Standard 4-ft. square fully insulated sump area to match project specifications.

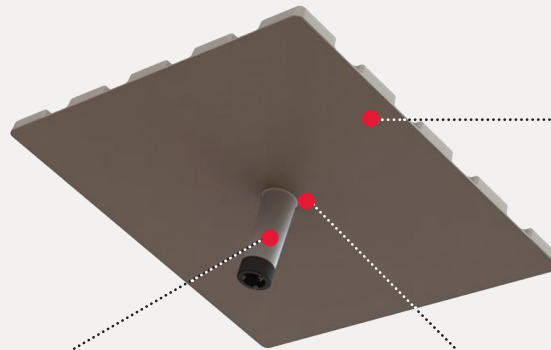
A proprietary blend of hard, heat-weldable TPO thermoformed for direct flashing to the highest point of the sump, not at the base of the drain where leaks are prone to exist.



16 fastener attachment tabs surround the sump for a secure installation.

The 2-inch perimeter height provides installers and specifiers a common application and allows for added flat stock.

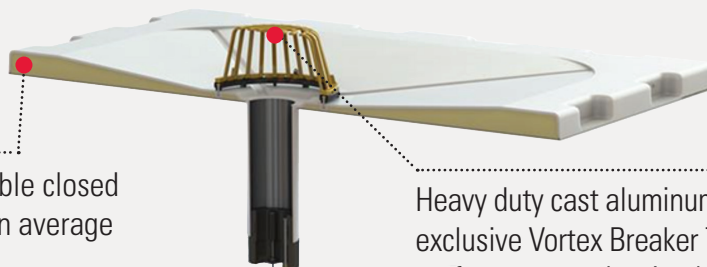
Sump RetroDrains feature a standard 9.75-inch long drain stem with a proven U-Flow Mechanical Seal which exceeds the ANSI/SPRI RD1 Standard for a secure, watertight connection.



Glass-facer cover resists moisture for durability and long term performance.

Integrated aluminum drain stem features a dual Thermally Activated Sealant System (TASS) for enhanced waterproofing and pull out resistance.

The TPO sump is made with durable closed cell polyurethane that provides an average R-Value of 6.5.



Heavy duty cast aluminum strainer dome features OMG's exclusive Vortex Breaker Technology for improved flow performance and a simple 'twist lock' for installation ease.



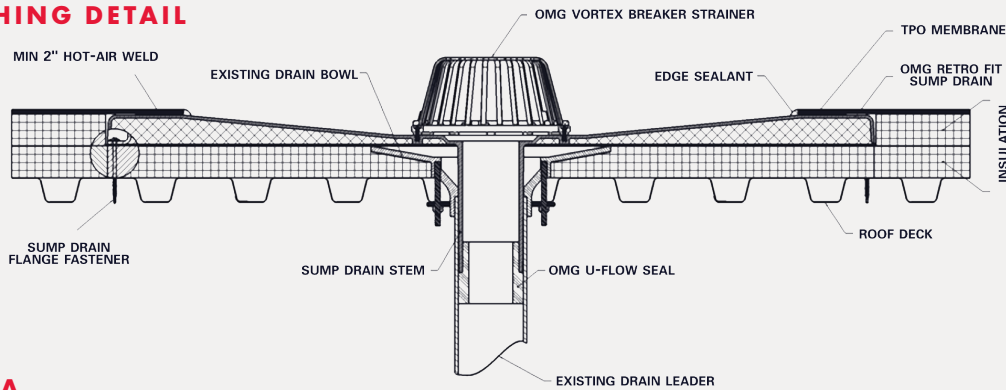
Sump RetroDrain™

INSULATED SUMP WITH ROOF DRAIN

FEATURES & BENEFITS

- Installs in about one-third the amount of time vs. making a sump and installing or re-working a drain for maximum productivity.
- Exclusive OMG Vortex Breaker Strainer design helps improve flow performance and gets water and excess weight off the roof faster.
- TPO body is compatible with most TPO membranes, and UV stable for long-life.
- TPO drain body swatch provided with each drain to assist with proper welder setting.
- Reduces job-site waste and material handling.
- Membrane is flashed at the highest point of the sump and not around the drain for improved rooftop quality.
- Easy to install with minimal skills required.
- Predictable and repeatable solution for rooftop consistency and estimating ease.
- Comes with 16 fastener pocket fillers and washers for use in each fastener pocket.
- U-Flow Seal exceeds the ANSI/SPRI RD1 standard for a secure, watertight connection.

TYPICAL FLASHING DETAIL



PHYSICAL DATA

BODY	.187 TPO formed thermoplastic
DIMENSION	4- x 4-ft. perimeter with 2-in. tall perimeter edge.
BODY CAVITY	Closed cell polyurethane. Average R-Value is 6.5.
DRAIN SEAL	Proven U-Flow mechanical seal.
STRAINER DOME	Cast aluminum, yellow powder-coated with integrated Vortex Breaker and Twist-Lock seal.
DRAIN STEM	Standard 9.75-inch length.
DRAIN SIZES	3-, 4-, 5-, and 6-inches for most applications.
SLOPE	Greater than 1:12-inches.

Always refer to the roofing system manufacturer's detail requirements when installing OMG Sump RetroDrains.



ROOFING PRODUCTS

153 BOWLES ROAD, AGAWAM, MA 01001 USA
800-633-3800 413-789-0252 OMGROOFING.COM

Copyright © 2022 OMG, Inc. All rights reserved.

Superior productivity.
Superior performance.

