



Hercules® RetroDrain®



PRODUCT DATA SPECIFICATIONS

PRODUCT DESCRIPTION

Hercules RetroDrains have a one-piece spun aluminium body, heavy-duty cast aluminium strainer dome, and clamping ring for strength and durability. The Hercules RetroDrain incorporates U-Flow® Seal technology for a mechanical watertight connection to PVC or cast-iron pipes to prevent water from backup damage. Available in 75 mm, 100 mm, and 150 mm sizes.

FEATURES & BENEFITS

- 75 mm and 100 mm drains comply with BS EN1253-3-2015.
- One-piece seamless body provides strength and durability without separation of the flange from the stem.
- Extra-large 445 mm flange allows positive attachment of roof flashing membrane while the sump area facilitates drainage.
- The flat clamping ring design allows increased flow for better performance.
- The strainer dome is made of heavy-duty cast aluminium for strength, durability and long life on the roof.
- 305 mm long drain stem accommodates most existing field conditions.
- Easy installation from the rooftop saves time and money without disturbing building occupants.

APPROVALS & STANDARDS

BS EN1253-3-2015 is a SPRA (Single Ply Roofing Association) component quality standard test for rainwater outlet flow capacity. OMG Hercules Drains (75 & 100 mm), have been tested to comply by CRM Rainwater Drainage Consultancy, LTD., Farnworth, England to exceed the requirements. For details, contact OMG Roofing Products.

ANSI/SPRI RD-1 is a US performance standard for retrofit roof drains. While most drains are not tested to this standard, Hercules RetroDrains exceed the standard, which requires the seal to hold a 3 m column of water for 24 hours without leaking



Hercules

PHYSICAL DATA

The data below is constant for each Hercules RetroDrain.

DRAIN BODY		SEAL	
3.2 mm spun aluminium		Watertight U-Flow mechanical seal requires U-Flow screwdriver	
FLANGE		STRAINER DOME	
445 mm diameter with sump area		Cast aluminium	
STEM		CLAMP RING	
305 mm length		Flat aluminium	

ORDERING INFORMATION

PRODUCT	CAT. NO.	DOMES TYPE	PKG QTY	WEIGHT KGS
75 mm Hercules	HDAL3A-FCR	Aluminium	1	12.2
100 mm Hercules	HDAL4A-FCR	Aluminium	1	12.2
150 mm Hercules	HDAL6A-FCR	Aluminium	1	12.2



Hercules® RetroDrain®

INSTALLATION PROCEDURE

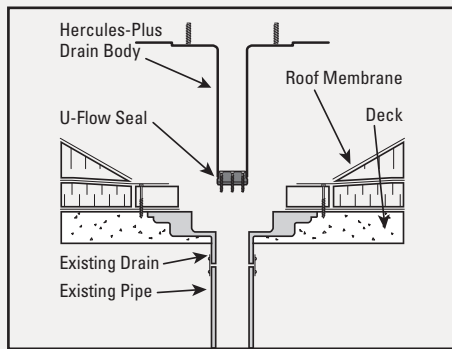
FOR USE WITH

All types of roof covers.

JOB PREPARATION

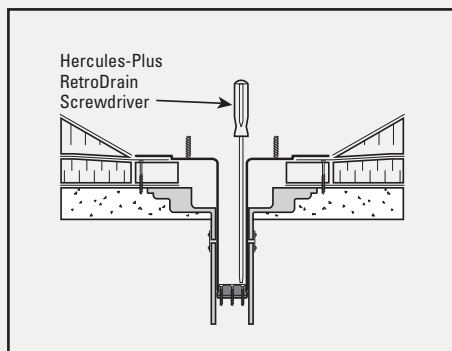
Remove existing strainer dome and clamping ring. Remove other existing drain components as required to enable the Hercules Drain flange to lie flush on roof membrane. Remove any debris or constricting materials in the existing drain pipe that interferes with proper installation.

STEP 1



Examine the existing water leader to make sure there are no elbows that prevent the drain stem from being fully inserted into the pipe. Insert U-Flow® Seal into end of drain stem and tighten screws enough to hold the seal in place during installation. Insert assembled drain into existing leader pipe until flange lies flush on roof membrane.

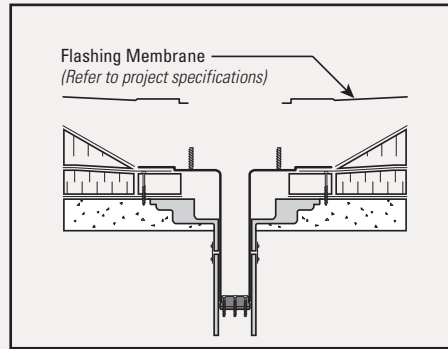
STEP 2



Alternately tighten seal compression ring screws with a U-Flow Screwdriver until hand

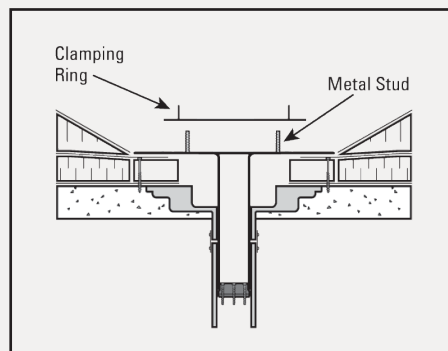
tight. Hercules-Plus is correctly installed when pressure placed on the drain body results in no vertical movement. Do not overtighten the screws.

STEP 3



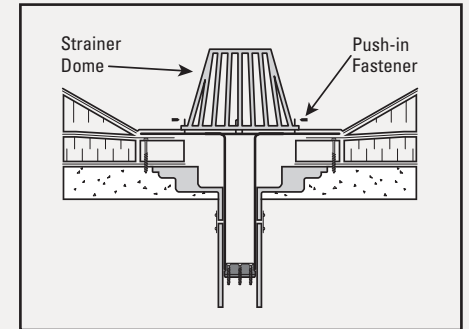
Secure the drain flange to the roof surface/nailer using a minimum of three pan-head fasteners, evenly spaced around the flange. The flashing membrane must cover and extend past the fastener head. Flashing membrane must be installed as per roof membrane manufacturer's instructions.

STEP 4



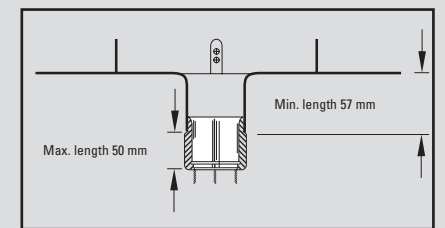
Place clamping ring over the metal studs. Install stainless steel nut and lock washers, tightening clamping ring against the membrane flashing until secure.

STEP 5



Install strainer dome by aligning screw holes with the holes in the clamping ring. Secure with screws provided.

HOW TO SHORTEN AN OLYFLOW® RETROFIT DRAIN



Make sure there is at least 100 mm of clear vertical distance in the existing pipe to accommodate the drain. Cut drain stem to desired length and insert U-Flow Seal.

Note: Leave at least 65 mm of the drain stem to accommodate the seal.

Insert the U-Flow Seal in the cut drain stem and tighten the seal screws. Once the drain and seal have been assembled, insert it into the existing water leader and complete the assembly following installation steps 2 to 5.

**For technical assistance contact
OMG at +1 413.789.0252**


ROOFING PRODUCTS
153 BOWLES ROAD,
AGAWAM, MA 01001 USA
+1 413.789.0252

Hercules®, RetroDrain®, OlyFlow®, SuperDome® and U-Flow® are trademarks of OMG, Inc. Copyright © 2021 OMG, Inc. All rights reserved.

Superior productivity. Superior performance.

INFOEUROPE@OMGINC.COM

Find Us at: www.omgroof.com/euro-reps

