



Aluminum Classic New Connection Drain

PRODUCT DATA SPECIFICATIONS

PRODUCT DESCRIPTION

The Aluminum Classic Drain is manufactured from spun aluminum. Its one-piece construction is designed for quick installation in new connection and ponded roof applications. The drain can be connected by using the mechanical coupler provided. The drain flange has six welded aluminum studs to secure the aluminum clamping ring and six predrilled fastener holes for attachment of the drain to the roof deck. The drain flange has a depressed sump area to facilitate the drainage of all water from the roof surface. The cast aluminum strainer dome is secured to the cast aluminum clamping ring by means of 3 stainless steel screws. Available in 3-in., 4-in., and 6-in. sizes along with options of a plastic dome or cast aluminum SuperDome.

FEATURES & BENEFITS

- One-piece seamless body is made from 125-in., 11 Ga. spun aluminum. It provides strength and durability without separation of the flange from the stem.

- Pre-punched flange insures consistent, stable attachment to the roofing substrate eliminating the need for an under-deck clamp.
- Heavy-duty cast aluminum strainer dome and clamping ring – designed to be durable and to ensure a uniform compression seal of the membrane. A plastic dome or the cast-aluminum SuperDome are available options.
- No-hub coupler has stainless steel bands that connect with PVC or cast iron plumbing, and will work with schedule 40 or 80 rain-water leaders.

APPLICATION

The Aluminum Classic New Connection Drain is designed for installation in roof areas that pond water or new roof construction. The drain comes complete with strainer, clamp ring, no-hub banded coupler and pre-punched drain flange for top-side securement, eliminating the need for clumsy underdeck clamps.



PHYSICAL DATA

The data below is constant for all OMG Aluminum Classic Drains.

DRAIN BODY	COUPLER
11 Ga. (.125") spun aluminum	No-hub coupler with stainless steel bands
FLANGE	STRAINER DOME
12" diameter with sump area	Cast aluminum, plastic or aluminum SuperDome
STEM	CLAMP RING
4" length	Cast aluminum

ORDERING INFORMATION

CAT. NO.	SIZE IN	DOME TYPE	PKG QTY	DIMENSIONAL WEIGHT LBS
CDAL3A	3	Aluminum	1	15
CDAL4A	4	Aluminum	1	15
CDAL6A	6	Aluminum	1	15



Aluminum Classic New Connection Drain

INSTALLATION PROCEDURE

FOR USE WITH

All types of roof covers.

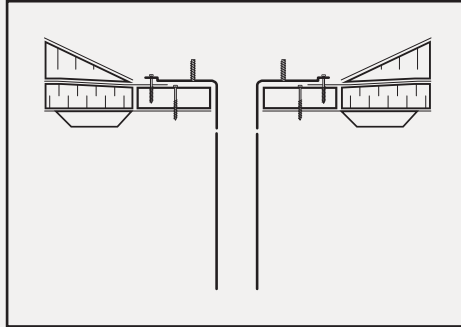
INSPECTION

Contractor is responsible for proper installation and placement of the Aluminum Classic Drain to be installed. Accessibility for below deck plumbing work should be confirmed prior to drain installation.

JOB PREPARATION

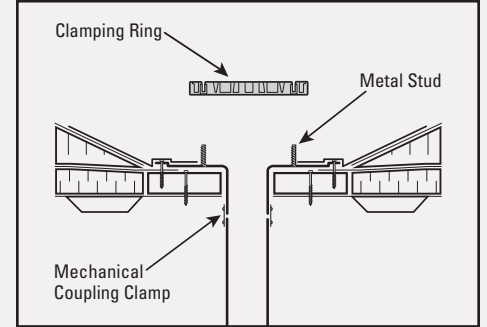
All roof surfaces should be swept clean of all loose dirt, dust and debris. If required, comply with roof manufacturer's directions for additional cleaning or detailing.

STEP 2



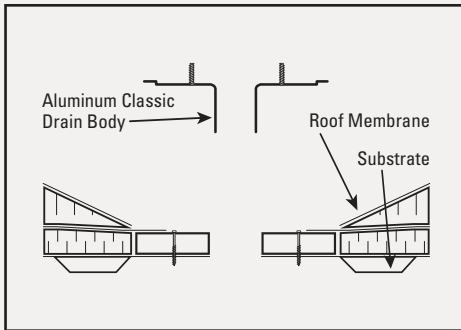
Attach appropriate length tail piece of drain pipe with the mechanical connector provided. Center drain in hole and fasten to base plate; screws should be installed through the raised outside edge only.

STEP 4



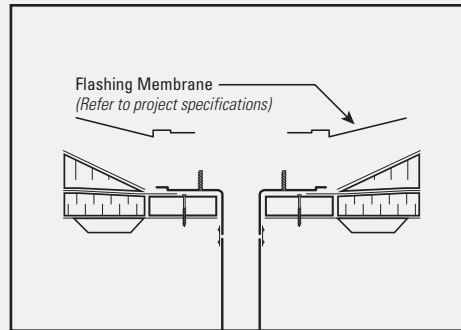
Secure the drain flange to the roof deck/nailer using a minimum of three pan-head fasteners, evenly spaced around the flange. The flashing membrane must cover and extend past the fastener head. Install flashing piles per roof manufacturer's detail.

STEP 1



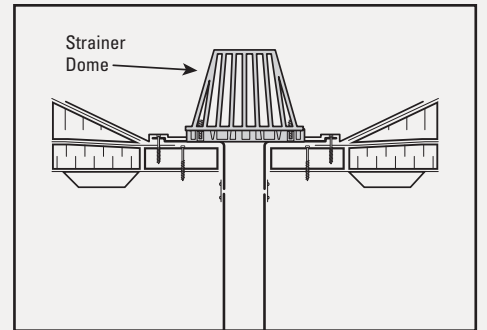
Cut hole in deck 2-in (50 mm) larger than the outside diameter of the drain stem being installed. Create a new base plate made of plywood that extends 2-in (50 mm) beyond the drain flange. Carefully align hole in base plate with hole in roof deck and secure in place. Taper insulation to the edge of the base plate.

STEP 3



Caulk the outside edge of the drain with compatible water cut-off or roofing cement.

STEP 5



Install clamping ring and strainer dome. Connect drain to interior plumbing pipe with mechanical connector provided.

**For technical assistance contact
OMG at 800.633.3800.**



ROOFING PRODUCTS

153 BOWLES ROAD, AGAWAM, MA 01001 USA
800-633-3800 413-789-0252 OMGROOFING.COM

Copyright © 2018 OMG, Inc. All rights reserved.

Superior productivity.
Superior performance.

