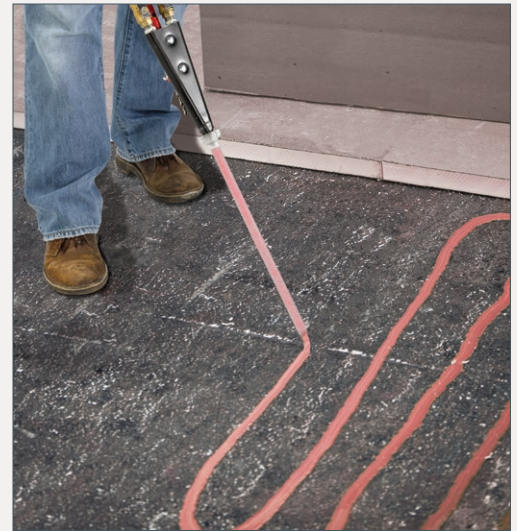


# OMG<sup>®</sup> OlyBond500<sup>®</sup>

## INSULATION ADHESIVE & PRODUCTIVITY TOOLS

OlyBond500<sup>®</sup> is the premier insulation adhesive for low-slope roofing applications. It is a fast-acting, two-component, low-rise polyurethane foam adhesive designed to secure most insulation types to a wide selection of common roof decks and materials. OlyBond500 Insulation Adhesives are easy to use, hassle-free and designed to get you off the roof and onto the next job quickly.



### OLYBOND500<sup>®</sup>

OlyBond500 is available in Bag-in-Box sets (two 18.9 litre [5 US gallon] containers), and in 1,500 ml SpotShot cartridges for easy application. OlyBond500 is dispensed through a portable 1:1 applicator in a semi-liquid bead that spreads to 20 mm to 25 mm (¾ to 1-in.) above the substrate.

- **Regular Formula** (Bag-in-Box and SpotShot cartridge) – used in temperatures of 4°C (40°F) and warmer.
- **Winter Grade** SpotShot cartridges – used in temperatures of -17°C to 18°C (0° to 65°F).  
Bag-in-Box – used in temperatures of -4°C to 18°C (25° to 65°F).

**OlyBond500:**  
The most trusted name in insulation attachment adhesive.



### SPOTSHOT CARTRIDGE APPLICATORS

For projects that don't require a PaceCart<sup>®</sup>, OMG Roofing Products offers a choice of hand-held applicators designed exclusively for use with OlyBond500 SpotShot cartridges. SpotShot is ideal for smaller projects, hard-to-reach areas and repair work.

#### HAND APPLICATOR

- Lightweight and easy-to-use.
- Great for repair work or small areas.
- Inexpensive and in stock at major roofing distributors.

#### MANUAL STAND-UP APPLICATOR

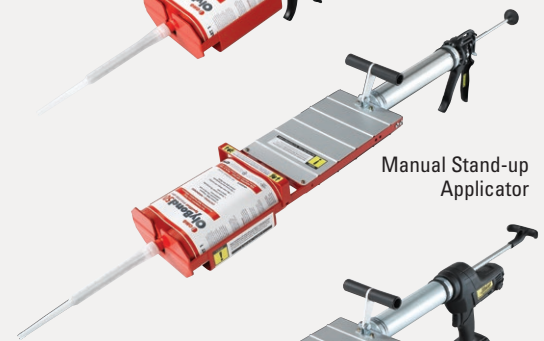
- Lightweight and portable.
- Stand-up application reduces worker fatigue while increasing production.

#### POWER GUN CORDLESS APPLICATOR

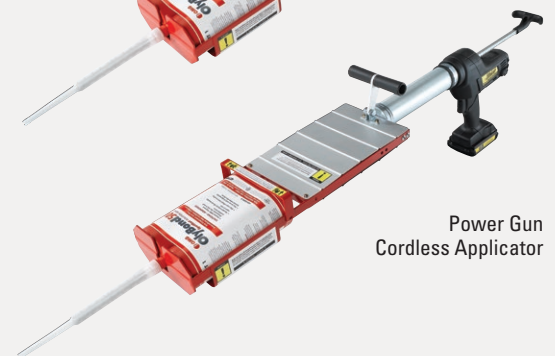
- Comes fully assembled and with heavy-duty carrying case.
- Includes two (2) 18 volt Lithium Ion batteries (LIB) and a 110 volt charger.
- Includes integrated battery charge indicator gauge, and can be charged in 30 minutes, 50% faster!
- Easy to use and operate.



Hand Applicator



Manual Stand-up Applicator



Power Gun Cordless Applicator

## PRODUCT DATA SPECIFICATIONS

### ORDERING INFORMATION

	CAT. NO.	DESCRIPTION	WEIGHT KG (LBS)	PKG QTY
APPLICATORS	OB500PCART3	PaceCart 3	68.1 (150)	Each
	OB500MIXTIP-20L	Static Mix Tips for PaceCarts	0.9 (2)	20 each
	OBPC-VEEGUN	Manifold Gun Assembly	2.25 (5)	Each
	OB500LTS-1GAL	PCPreserver Long-Term Storage Product for PaceCart	3.17 (7)	1 each
	OB500SSGUN	Hand Applicator	2.25 (5)	Each
	OB500SSGUN-SU	Manual Stand-up Applicator	4.54 (10)	Each
	OB500SSGUN-SU18V	Power Gun Cordless Applicator	4.54 (10)	Each
	OB500SSMIXTIP-10	Static Mix Tips for all SpotShot Applicators	0.45 (1)	10 each
ADHESIVES	OB5001-BAG	OlyBond500 Part 1	24.06 (53)	18.9 litre (US 5 gallon) Bag-in-Box
	OB5002-RBAG	OlyBond500 Part 2	20.43 (45)	18.9 litre (US 5 gallon) Bag-in-Box
	OB500SS-R	OlyBond500 SpotShot Regular Formula 4°C (40°F) +	8.62 (19)	(4) 1500 ml Cartridges/Box
	OB500SS-W65	OlyBond500 SpotShot Winter Formula -17°C - 18°C (0°F - 65°F)	8.62 (19)	(4) 1500 ml Cartridges/Box

### APPROVALS

OlyBond500® is approved by most roof system manufacturers and is Factory Mutual, Miami Dade, Florida Building Code and Underwriters Laboratories approved.



For more information, contact your local OMG sales representative, call +1 800 633 3800 or visit [www.OMGRoofing.com](http://www.OMGRoofing.com).

OMG is a leading US supplier of roofing fasteners, roof insulation adhesives, retrofit roof drains, pipe supports, engineered edge metal systems and rooftop productivity tools. Our products are available nationwide through a network of roofing distributors, supported by our national network of direct factory sales personnel.



**ROOFING PRODUCTS**  
153 BOWLES ROAD,  
AGAWAM, MA 01001 USA  
+1 413.789.0252

Superior productivity. Superior performance.

[INFOEUROPE@OMGINC.COM](mailto:INFOEUROPE@OMGINC.COM)

Find Us at: [omgroof.com/euro-reps](http://omgroof.com/euro-reps)

The OMG PaceCart®3 dispensing cart and the Bag-in-Box OlyBond500® Part 1/Part 2 adhesive system, including the adhesive dispensing method, are covered by one or more of U.S. Patent Nos. 8,167,170; 8,342,372; 8,474,658 and 9,327,308; and Canadian Patent Nos. 2,591,502 and 2,821,452. PaceCart®3 and OlyBond500® are registered trademarks of OMG, Inc. Copyright © 2021. All rights reserved.

