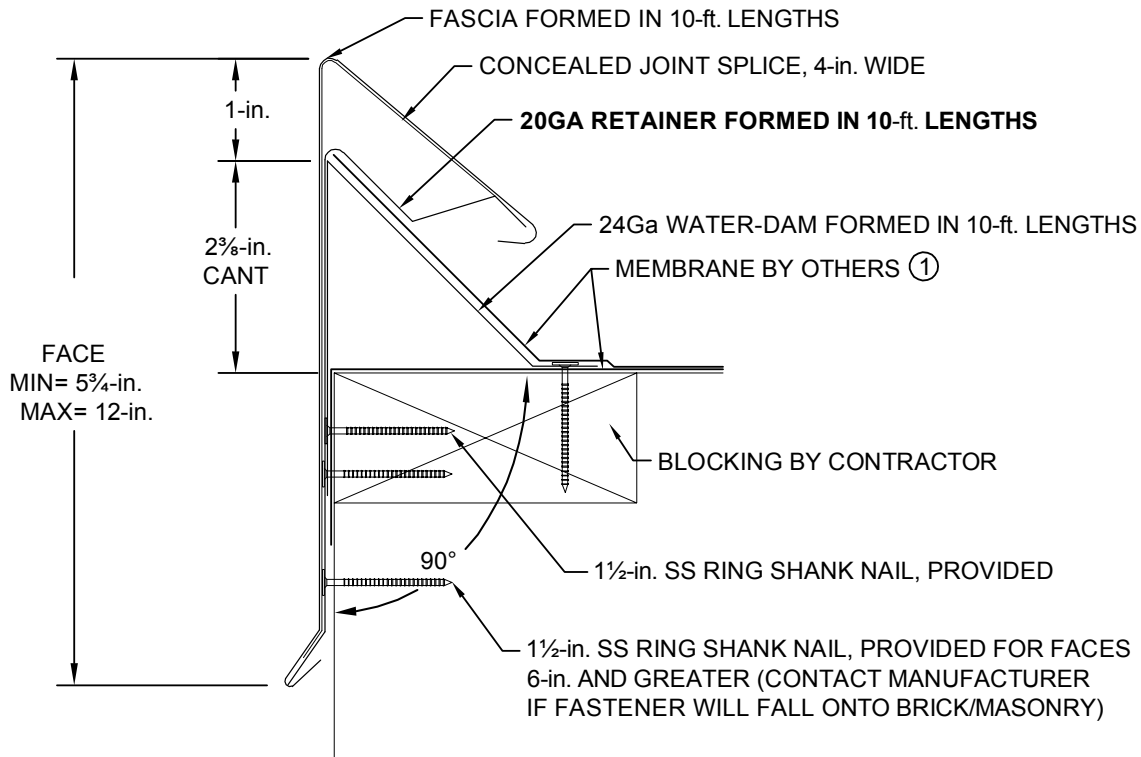


TremLock Fascia

For Built-Up and
Modified Roofs



Order Specification Form



① Coordinate installation with membrane manufacturer.

QUANTITY		CAP MATERIAL		THICKNESS	COLOR	CAP FINISH			
___	Total LF	___	Transition Miters	<input type="checkbox"/> Aluminum <input type="checkbox"/> Galvanized <input type="checkbox"/> Stainless Steel <input type="checkbox"/> _____	<input type="checkbox"/> 0.050 <input type="checkbox"/> 0.063 <input type="checkbox"/> 0.080 <input type="checkbox"/> 24GA <input type="checkbox"/> 22GA <input type="checkbox"/> ____	<input type="checkbox"/> Statuary Bronze (A-01) <input type="checkbox"/> Bone White (A-23) <input type="checkbox"/> Concord Cream (A-02) <input type="checkbox"/> Medium Bronze (A-05) <input type="checkbox"/> Sandstone (A-06) <input type="checkbox"/> Dove Gray (A-09) <input type="checkbox"/> Sierra Tan (A-26) <input type="checkbox"/> _____	<input type="checkbox"/> Mill Finish <input type="checkbox"/> Prefinished Kynar <input type="checkbox"/> Post Finished Kynar <input type="checkbox"/> Prefinished Anodized <input type="checkbox"/> Post Finished Anodized <input type="checkbox"/> _____		
___	Miters (___ Outside, ___ Inside)	___	Ridge Miters					ACCESSORY TYPE <input type="checkbox"/> Welded <input type="checkbox"/> Metal-Lok	
___	End Caps (___ Left, ___ Right)	___	Valley Miters						Attach Sketches
___	End Terms (___ Left, ___ Right)	___	Special Corners						
___	Radius LF								
___	Sumps								
___	Spillouts								

0.063 prefinished Kynar is only available in Statuary Bronze, Medium Bronze, Sandstone, Dove Gray, Ascot White, Forest Green & Bone White.
 22 GA Prefinished Kynar is only available in Statuary Bronze, Medium Bronze, Shale Gray, Forest Green & Bone White.

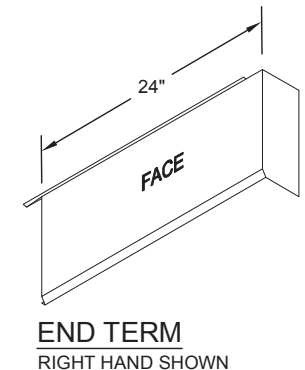
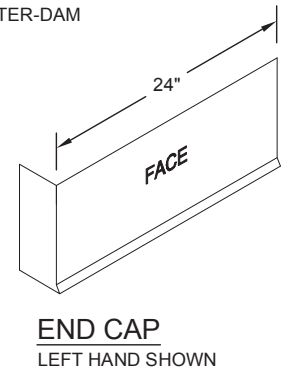
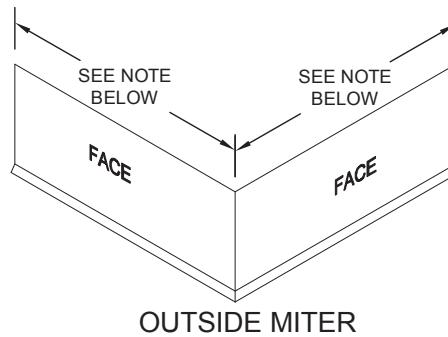
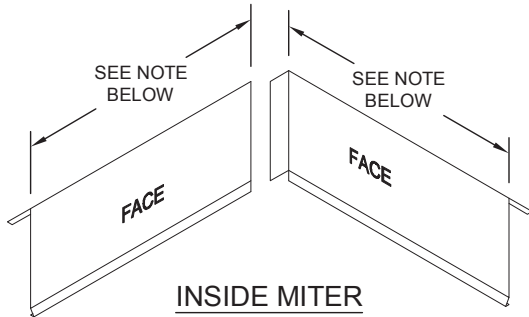
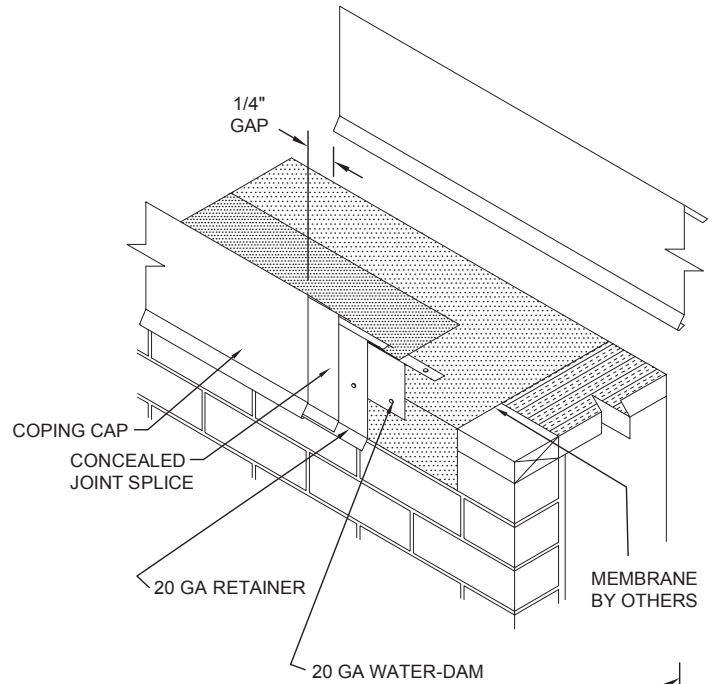
APPROVALS: Contact manufacturer for verification of test report data on your project.		CUSTOMER APPROVAL	
 		<input type="checkbox"/> Approved for Fabrication <input type="checkbox"/> Approved with Changes <input type="checkbox"/> Not Approved	
		Authorized Customer Signature _____ Title _____ Date _____	
Job Name:	Job #:	By:	
Customer:	Project Location:	Date:	
Representative:	Architect:	Sheet of _____	

TremLock Fascia

For Built-Up and
Modified Roofs

STANDARD COLORS - Other Colors Available

Ascot White	Bone White	Dove Gray	Silversmith	Shale Gray
Rocky Gray	Sandstone	Champagne	Titanium	Charcoal Gray
Concord Cream	Rawhide	Sierra Tan	Coppertone	Mission Red
Bright Red	Redwood	Boysenberry	Chocolate Brown	Antique Patina
Siam Blue	Slate Blue	Turquoise	Regal Blue	Statuary Bronze
Black	Hemlock Green	Patina Green	Forest Green	Hartford Green
	* Premium Colors			
Medium Bronze				



Standard coping miter leg lengths:
 23 $\frac{1}{4}$ -in. for 6-in. to 16-in. wall widths
 29 $\frac{1}{4}$ -in. 16-in. to 23-in. wall widths
 custom lengths for wall widths > 23-in.
 Standard coping miter angle is 90°
 For special miter requirements, attach sketches or consult manufacturer for assistance.
 Refer to Installation Guide for Clip Spacing