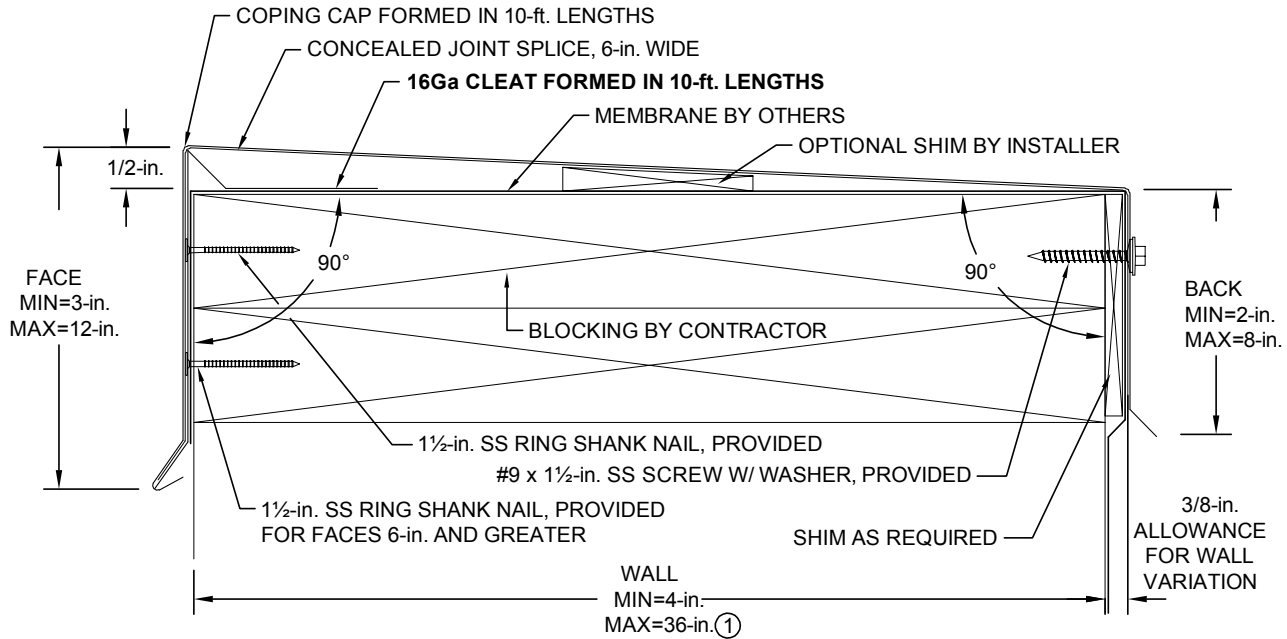


TremLock CF Coping Plus

Formed coping with
continuous cleat

Order Specification Form



① Contact manufacturer for coping design on walls outside these parameters.

QUANTITY		CAP MATERIAL		THICKNESS	COLOR	CAP FINISH
___	Total LF	___	Tee Miters	<input type="checkbox"/> 0.040	<input type="checkbox"/> Statuary Bronze (A-01)	<input type="checkbox"/> Mill Finish
___	Miters (___Outside, ___Inside)	___	Zee Miters	<input type="checkbox"/> 0.050	<input type="checkbox"/> Bone White (A-23)	<input type="checkbox"/> Prefinished Kynar
___	End Caps (___Left, ___Right)	___	Transition Miters	<input type="checkbox"/> 0.063	<input type="checkbox"/> Concord Cream (A-02)	<input type="checkbox"/> Post Finished Kynar
___	End Caps Inserts (___Left, ___Right)	___	Ridge Miters	<input type="checkbox"/> 0.080	<input type="checkbox"/> Medium Bronze (A-05)	<input type="checkbox"/> Prefinished Anodize
___	End Terms (___Left, ___Right)	___	Valley Miters	<input type="checkbox"/> 24GA	<input type="checkbox"/> Sandstone (A-06)	<input type="checkbox"/> Post Finished Anodize
___	Radius LF	___	Special Corners	<input type="checkbox"/> 22GA	<input type="checkbox"/> Dove Gray (A-09)	<input type="checkbox"/> _____
___	Radius to Straight Miters			<input type="checkbox"/> _____	<input type="checkbox"/> Shale Gray (A-20)	
___	Radius End Conditions			<input type="checkbox"/> Metal-Lok	<input type="checkbox"/> Sierra Tan (A-26)	
					<input type="checkbox"/> _____	

APPROVALS: Contact manufacturer for verification of test report data on your project.



CUSTOMER APPROVAL

- Approved for Fabrication
- Approved with Changes
- Not Approved

Authorized Customer Signature _____

Title _____ Date _____

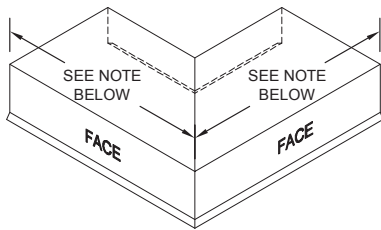
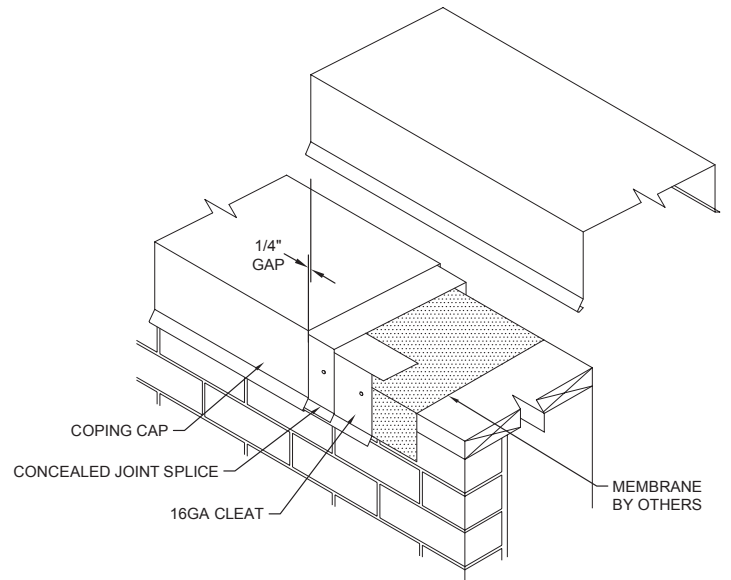
Job Name:	Job #:	By:
Customer:	Project Location:	Date:
Representative:	Architect:	Sheet of _____

TremLock CF Coping Plus

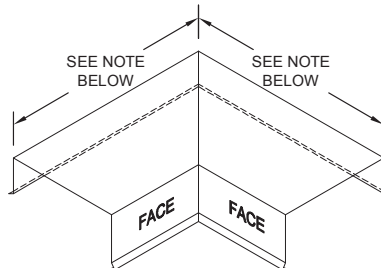
Formed coping with
continuous cleat

STANDARD COLORS - Other Colors Available

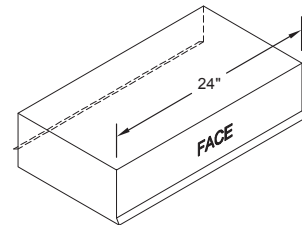
Ascot White	Bone White	Dove Gray	Siversmith	Shale Gray
Rocky Gray	Sandstone	Champagne	Titanium	Charcoal Gray
Concord Cream	Rawhide	Sierra Tan	Coppertone	Mission Red
Bright Red	Redwood	Boysenberry	Chocolate Brown	Antique Patina
Siam Blue	Slate Blue	Turquoise	Regal Blue	Statuary Bronze
Black	Hemlock Green	Patina Green	Forest Green	Hartford Green
	* Premium Colors			
Medium Bronze				



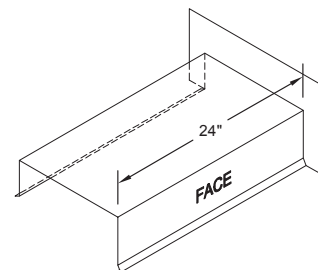
OUTSIDE MITER



INSIDE MITER



END CAP
LEFT HAND SHOWN



END TERM
RIGHT HAND SHOWN

Standard coping miter leg lengths:
 23 1/4" for 6" to 16" wall widths
 29 1/4" 16" to 23" wall widths
 custom lengths for wall widths > 23"
 Standard coping miter angle is 90°
 For special miter requirements, attach sketches or consult manufacturer for assistance.