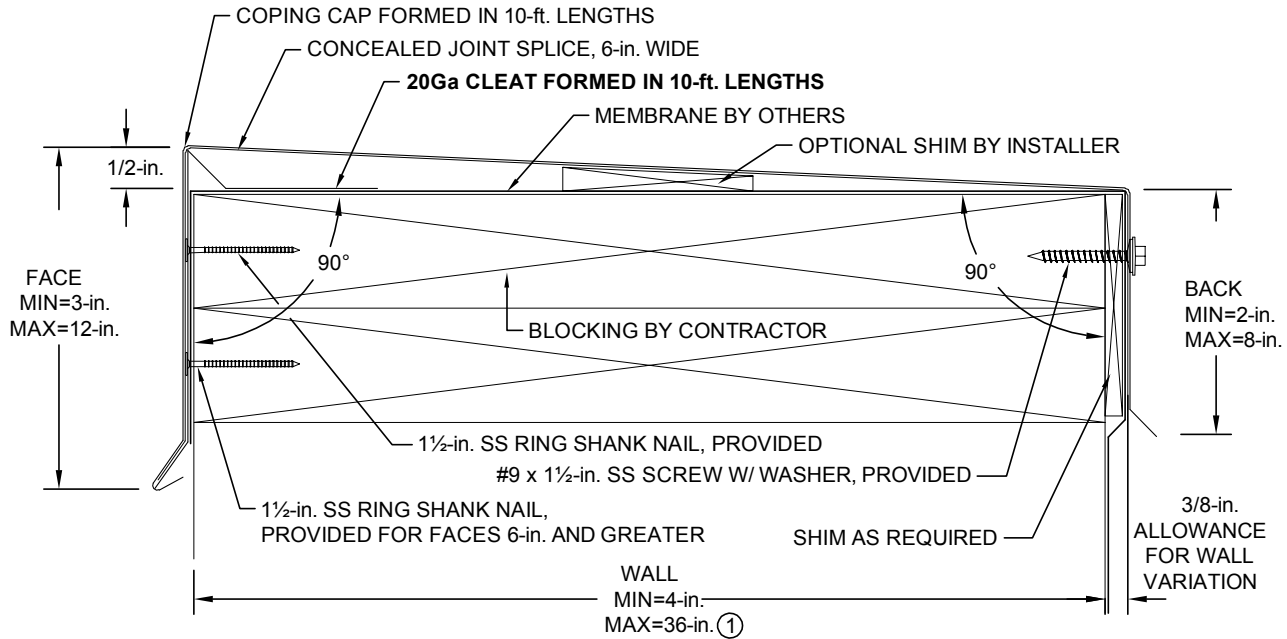


# TremLock CF Coping

Formed coping  
with continuous cleat

## Order Specification Form



① Contact manufacturer for coping design on walls outside these parameters.

QUANTITY				CAP MATERIAL	THICKNESS	COLOR	CAP FINISH
___	Total LF	___	Tee Miters	<input type="checkbox"/> Aluminum	<input type="checkbox"/> 0.040	<input type="checkbox"/> Statuary Bronze (A-01)	<input type="checkbox"/> Mill Finish
___	Miters (___Outside, ___Inside)	___	Zee Miters	<input type="checkbox"/> Galvanized	<input type="checkbox"/> 0.050	<input type="checkbox"/> Bone White (A-23)	<input type="checkbox"/> Prefinished Kynar
___	End Caps (___Left, ___Right)	___	Transition Miters	<input type="checkbox"/> Stainless Steel	<input type="checkbox"/> 0.063	<input type="checkbox"/> Concord Cream (A-02)	<input type="checkbox"/> Post Finished Kynar
___	End Caps Inserts (___Left, ___Right)	___	Ridge Miters	<input type="checkbox"/> _____	<input type="checkbox"/> 0.080	<input type="checkbox"/> Medium Bronze (A-05)	<input type="checkbox"/> Prefinished Anodized
___	End Terms (___Left, ___Right)	___	Valley Miters	<b>ACCESSORY TYPE</b>	<input type="checkbox"/> 24GA	<input type="checkbox"/> Sandstone (A-06)	<input type="checkbox"/> Post Finished Anodized
___	Radius LF	___	Special Corners	<input type="checkbox"/> Welded	<input type="checkbox"/> 22GA	<input type="checkbox"/> Dove Gray (A-09)	<input type="checkbox"/> _____
___	Radius to Straight Miters			<input type="checkbox"/> Metal-Lok		<input type="checkbox"/> Shale Gray (A-20)	
___	Radius End Conditions					<input type="checkbox"/> Sierra Tan (A-26)	
						<input type="checkbox"/> _____	

APPROVALS: Contact manufacturer for verification of test report data on your project.

ANSI/SPRI/FM4435  
/ES-1 TESTED



### CUSTOMER APPROVAL

- Approved for Fabrication  
 Approved with Changes  
 Not Approved

Authorized Customer Signature \_\_\_\_\_

Title \_\_\_\_\_ Date \_\_\_\_\_

Job Name:

Job #:

By:

Customer:

Project Location:

Date:

Representative:

Architect:

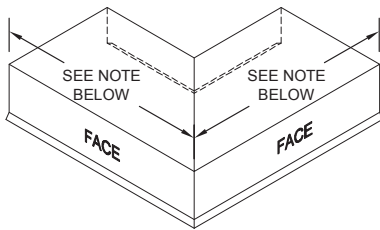
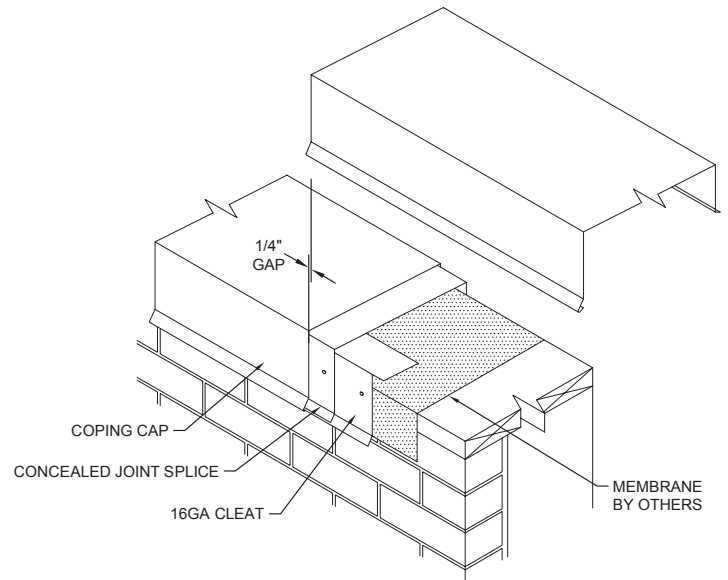
Sheet of \_\_\_\_\_

# TremLock CF Coping

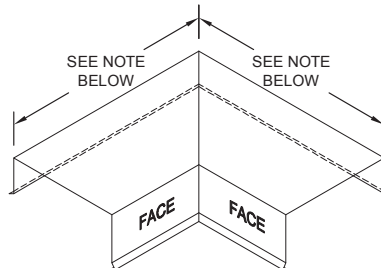
Formed coping  
with continuous cleat

## STANDARD COLORS - Other Colors Available

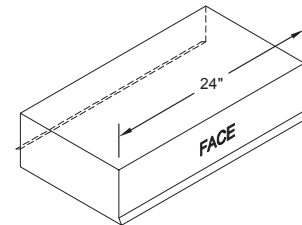
Ascot White	Bone White	Dove Gray	SILVERSMITH	Shale Gray
Rocky Gray	Sandstone	Champagne	Titanium	Charcoal Gray
Concord Cream	Rawhide	Sierra Tan	Coppertone	Mission Red
BRIGHT RED	Redwood	Boysenberry	Chocolate Brown	Antique Patina
Siam Blue	Slate Blue	Turquoise	Regal Blue	Statuary Bronze
Black	Hemlock Green	Patina Green	Forest Green	Hartford Green
	<b>* Premium Colors</b>			
Medium Bronze				



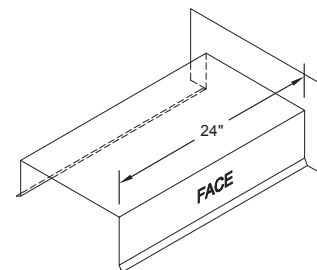
OUTSIDE MITER



INSIDE MITER



END CAP  
LEFT HAND SHOWN



END TERM  
RIGHT HAND SHOWN

Standard coping miter leg lengths:  
 23 1/4" for 6" to 16" wall widths  
 29 1/4" 16" to 23" wall widths  
 custom lengths for wall widths > 23"  
 Standard coping miter angle is 90°  
 For special miter requirements, attach sketches or consult manufacturer for assistance.