

Installation Guide for TremLock Extender & TremLock Extender with Offset

3735 GREEN ROAD, BEACHWOOD, OH 44122 USA

800-321-7906

WWW.TREMCOSEALANTS.COM

TREMCO[®]
Roofing & Building Maintenance

Installation Guide for TremLock Extender & TremLock Extender with Offset

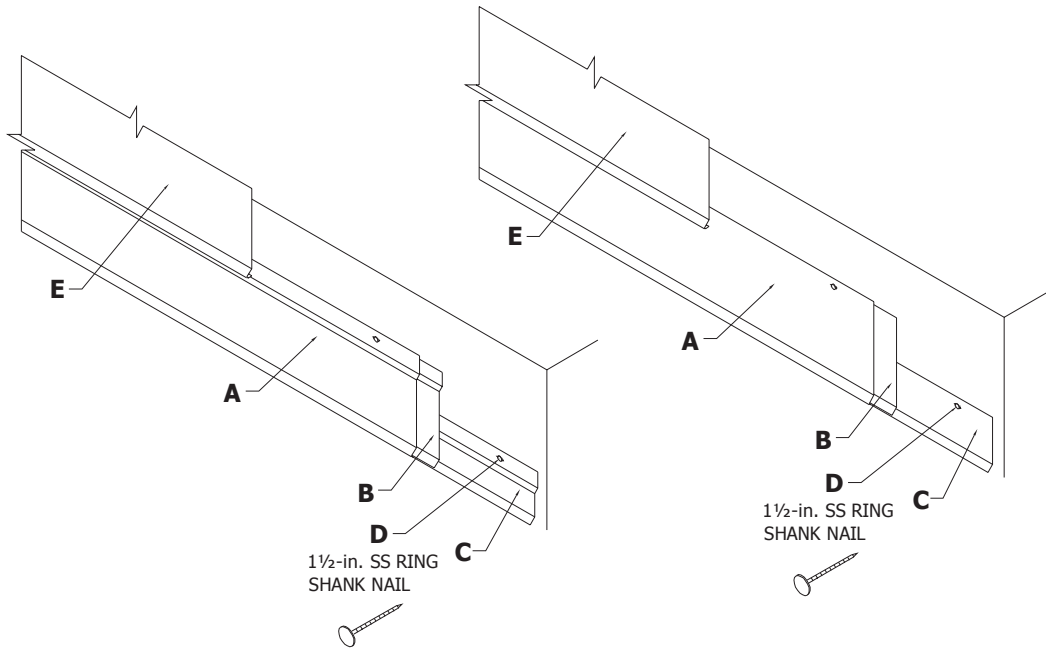
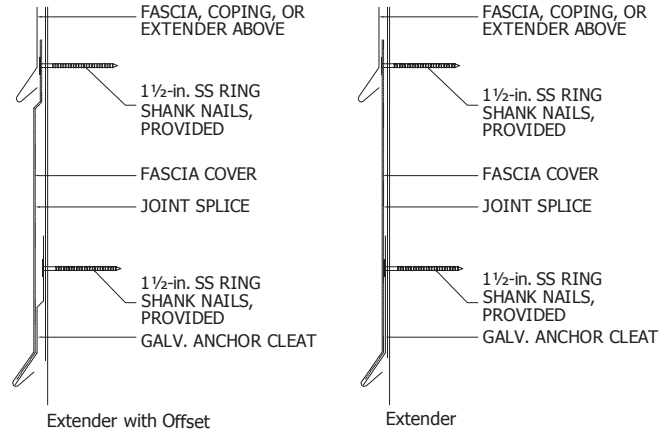
APPROVALS: Contact manufacturer for verification of test report data on your project.

ANSI/SPRI/FM4435
/ES-1 TESTED

FM
Approved

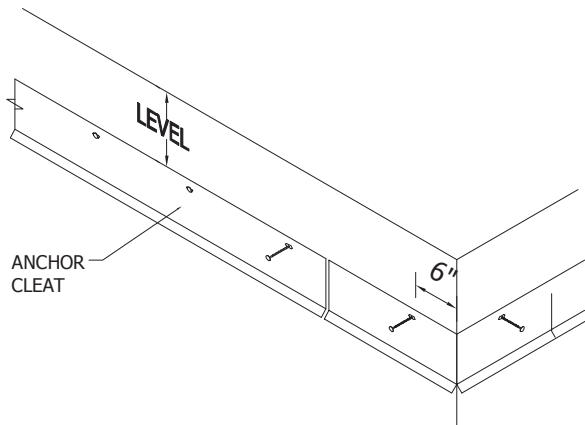
NOTES:

#1 - Isolate all metal parts from ACQ treated wood or other galvanically incompatible material with appropriate membrane material.
#2 - Appliance attachments, such as lightning rods, signs, or antennae that penetrate the water seal, induce a galvanic reaction, or otherwise compromise the effectiveness of the roof edge system, shall be eliminated or isolated to prevent problems per section 8.0 of ANSI/FM4435/SPRI ES-1. Appliances shall be isolated from or not attached to the roof edge system. Consult the lightning protection system manufacturer for specific attachment instructions.



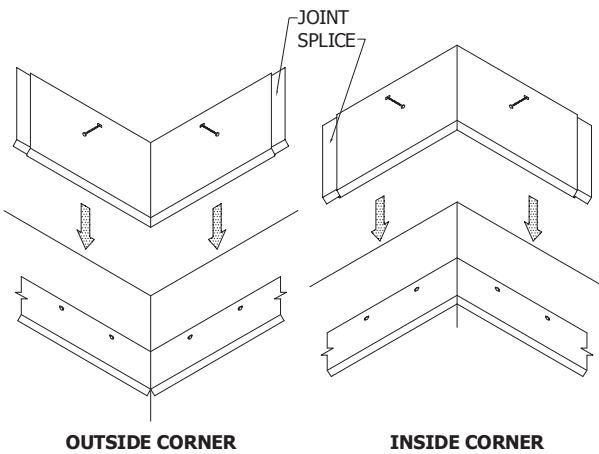
- A. Formed Fascia Cover**
10-ft. Lengths
- B. Concealed Joint Splice**
4-in. Lengths
- C. Galvanized Anchor Cleat**
10-ft. Lengths

- D. 1 1/2-in. SS Ring Shank Nail**
at 12-in. o.c. (6-in. from ends) clip only
(Included & Required)
- E. Fascia, Coping, or Extender**
(Product may vary)



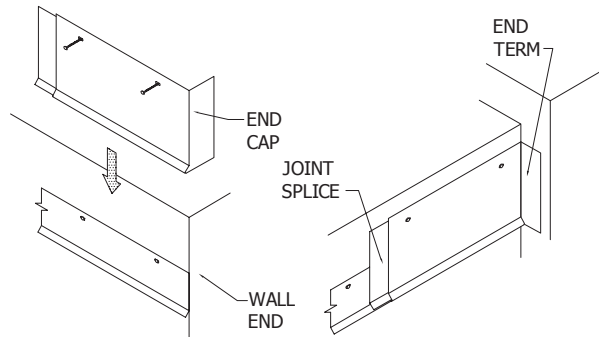
STEP 1: Installing Anchor Cleat

Place the top edge of the anchor cleat level on the wall face and press cleats securely in position and nail through pre-punched holes with 1½-in. ss ring shank nails provided. For miter application, fit into corner as required to maintain a continuous anchor cleat line. Then nail at a min. of 6-in. in each direction from the corner or closer at special conditions.



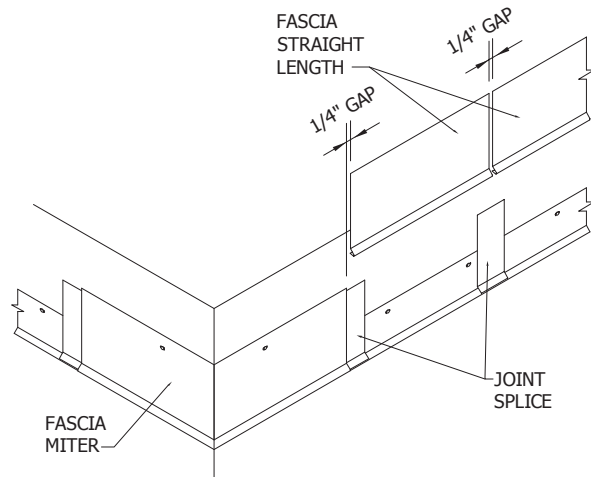
STEP 2: Installing Extender Miters

Locate extender miters and joint splice for the appropriate corners. Place a joint splice under each end of the miter sections. Install the miter by hooking the drip of the fascia onto the kick out of the cleat and rotate back until the fascia is flush with the wall face. Fasten with 1½-in. ss ring shank nails in each pre-punched hole.



STEP 3: Installing Extender End Caps and End Terms

Install the Extender by hooking the drip onto the kick out of the cleat and rotate back flush with the wall face. Fasten with 1½-in. ss ring shank nails in each pre-punched hole.



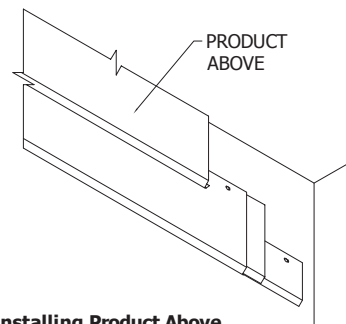
STEP 4: Installing Extender Straight Lengths

Place a concealed joint splice in the opposite end of the installed miter or end cap. Install the fascia by hooking the drip of the kick out of the cleat and rotate back flush with the wall face.

Fasten with 1½-in. ss ring shank nails in each pre-punched hole.

Allow ¼-in. gap between Extender sections for thermal expansion. Consider lengths of all straight pieces prior to cutting to avoid creating relatively short sections of fascia adjacent to full length section.

Note: There should be a joint splice at every joint.



STEP 5: Installing Product Above

Install product above Extender per manufacturer's installation instructions.