

Installation Guide for TremLock Eco-Fascia

3735 GREEN ROAD, BEACHWOOD, OH 44122 USA

800-321-7906

WWW.TREMCOSEALANTS.COM

TREMCO[®]
Roofing & Building Maintenance

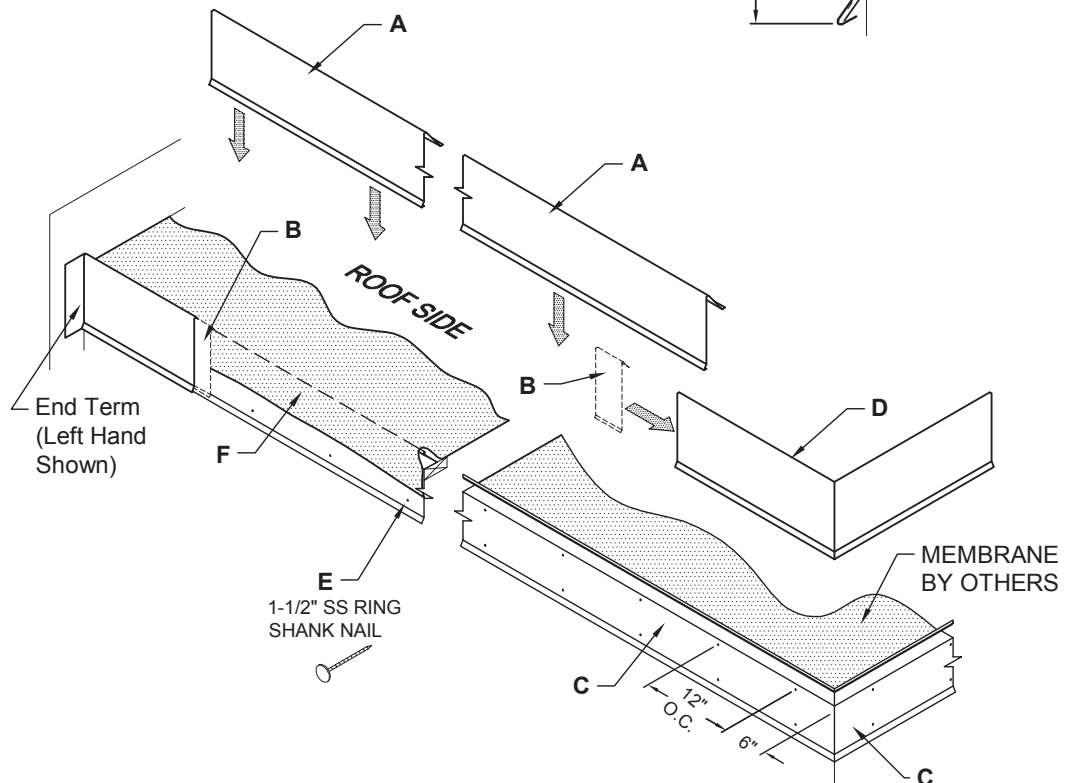
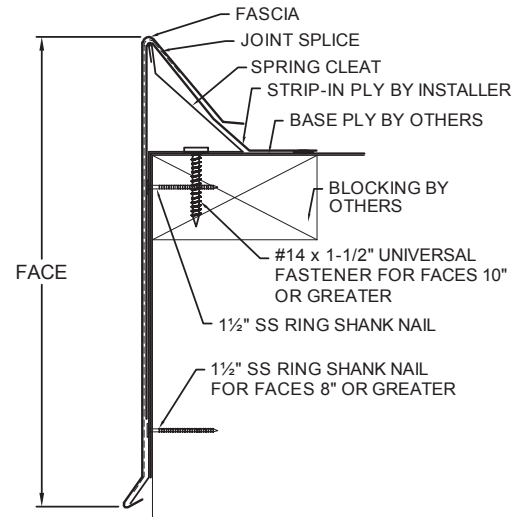
Installation Guide for TremLock Eco-Fascia

NOTES:

- #1 - Isolate all metal parts from ACQ treated wood or other galvanically incompatible material with appropriate membrane material.
- #2 - Appliance attachments, such as lightning rods, signs, or antennae that penetrate the water seal, induce a galvanic reaction, or otherwise compromise the effectiveness of the roof edge system, shall be eliminated or isolated to prevent problems per section 8.0 of ANSI/SPRI/FM4435/ES-1. Appliances shall be isolated from or not attached to the roof edge system. Consult the lightning protection system manufacturer for specific attachment instructions.

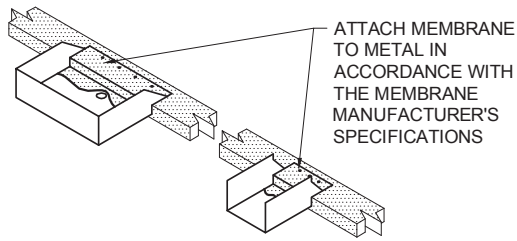
APPROVALS: Contact manufacturer for verification of test report data on your project.

ANSI/SPRI/FM4435
/ES-1 TESTED



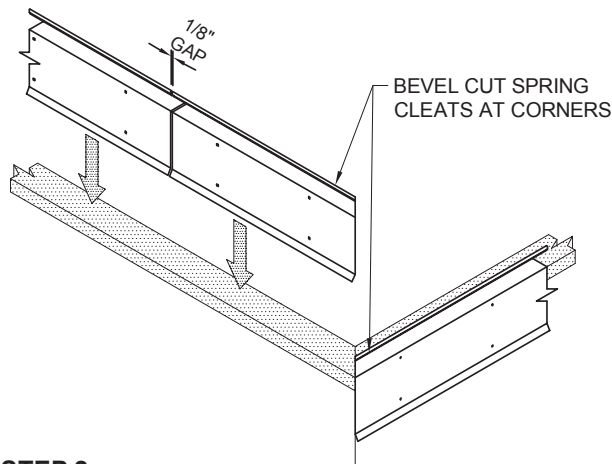
- A. Formed Fascia Cover**
10-ft. Lengths
- B. Concealed Joint Splice**
4-in. Lengths
- C. Galvanized Steel Spring Cleat**
10-ft. Lengths

- D. Fascia Miter Cover**
(Outside Corner Shown)
- E. 1 1/2-in. SS Ring Shank Nail**
at 12-in. o.c. (6-in. from ends) for cleat
(Included & Required)
- F. Strip-In Ply**
(By Installer)



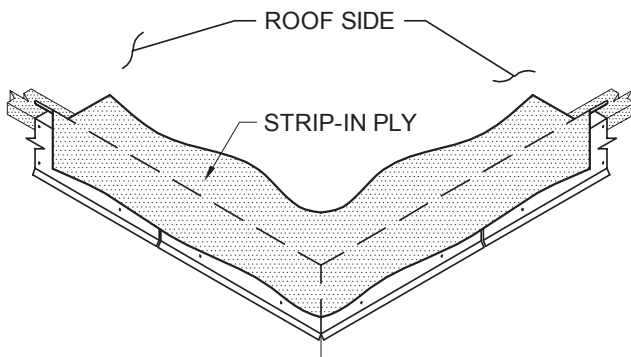
STEP 1: Consider Sump Core & Spillout Locations

Locate sump cores where downspouts will be located. Sump cores are installed prior to the spring cleat. The spring cleat butts up to side(s) of sump core. Spillouts are installed along with the fascia lengths as required. Refer to "Spillout & Sump Core Install Guides" for more info on installation if necessary.



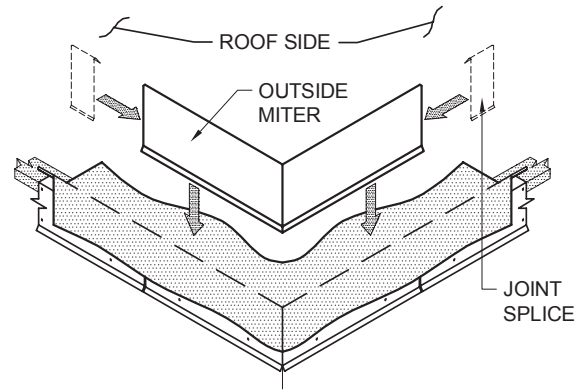
STEP 2: Installing Spring Cleat

Prior to installing the spring cleat, ensure that all metal components have been isolated from ACQ treated lumber with appropriate membrane material. Field cut spring cleat to fit corner conditions. Install spring cleat working away from corners. Allow 1/8-in. gap between sections for thermal movement. Attach the spring cleat using the 1½-in. ss ring shank nails provided in each pre-punched hole.



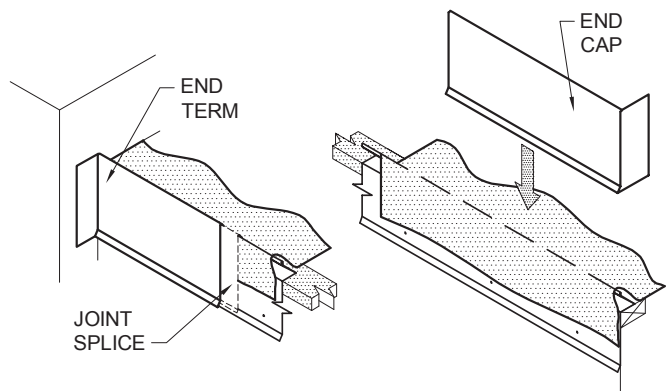
STEP 3: Installing Strip-in Ply

Install the strip-in ply in accordance with the manufacturer's specifications. Strip-in ply should extend down the vertical surface of the spring cleat. DO NOT extend past the kick out.



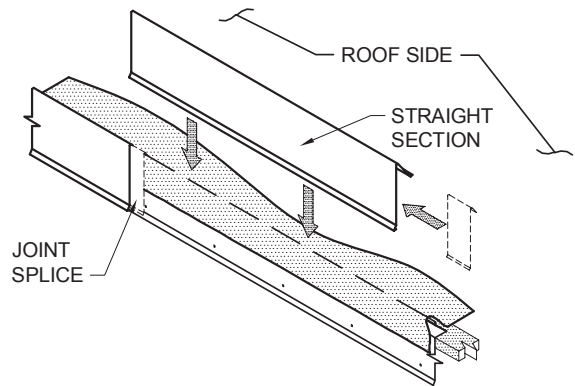
STEP 4: Installing Fascia Mitters

Locate the miter and concealed joint splice for the appropriate corner. Place a concealed joint splice in each side of the miter. Center the miter over the spring cleat, then press downward on the top of the miter until the drip of the miter fully engages the kick out of the spring cleat. Mitters have 24-in. nominal leg lengths.



STEP 5: Installing Fascia End Caps and End Terms

Install the fascia end caps and end terms by pressing downward on the top flange until the drip of the fascia has fully engaged the kick out of the spring cleat.



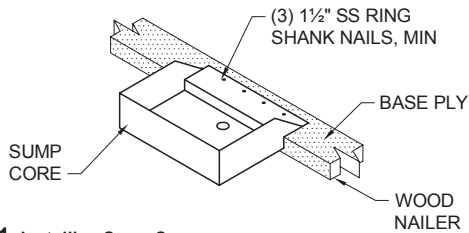
STEP 6: Installing Fascia Straight Lengths

Place a concealed joint splice in the opposite end of the installed miter or end cap. Install the fascia by pressing downward on the top flange until the drip of the fascia has fully engaged the kick out of the spring cleat. **Allow a 1/4-in. gap between fascia sections for thermal expansion.** Review lengths of all straight pieces prior to cutting to avoid creating relatively short sections of fascia adjacent to full length sections.

Note: There must be a joint splice at every joint.

Installation Guide for TremLock Fascia - Sump Cores & Spillouts

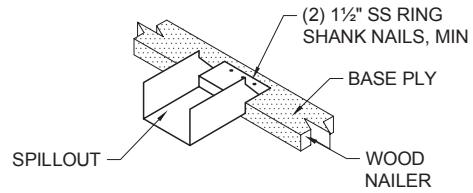
SUMP CORES



STEP 1: Installing Sump Core

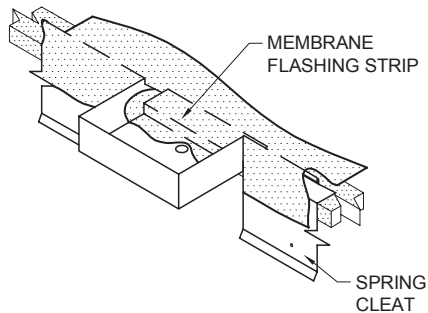
Locate sump cores where downspouts will be located. Sump cores are installed prior to the spring cleat. Fasten sump core to the wood nailer with a min of (3) 1½-in. ss ring shank nails.

SPILLOUTS



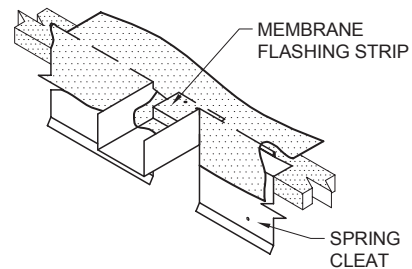
STEP 1: Installing Spillouts

Spillouts are installed at predetermined locations. Spillouts are installed prior to the spring cleat. Fasten spillout to the wood nailer with a min of (2) 1½-in. ss ring shank nails.



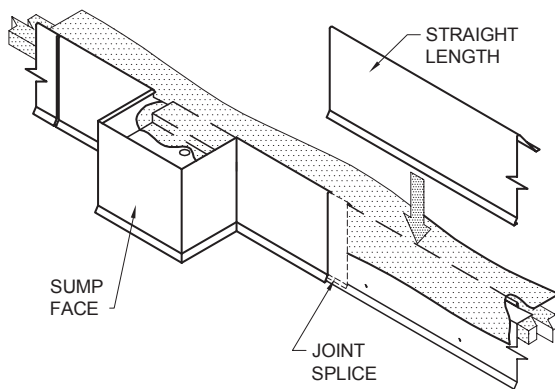
STEP 2: Installing Spring Cleat at Sump Core

Butt spring cleat to the sump core. Apply membrane flashing strip over the spring cleat and into the sump core as required by membrane manufacturer's specifications. Splice and seal the membrane in and around the sump core in accordance with membrane manufacturer's specifications.



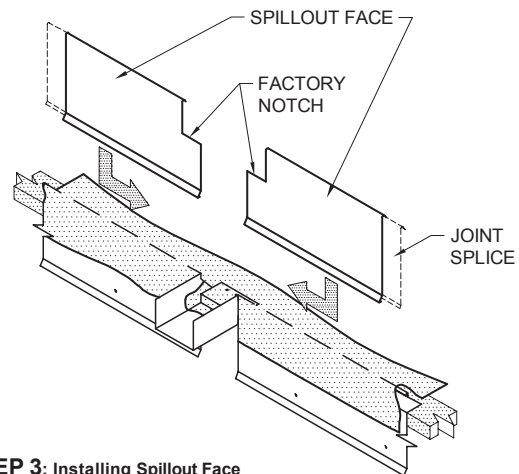
STEP 2: Installing Spring Cleat at Spillouts

Butt spring cleat to the spillout. Apply membrane flashing strip over spring cleat and into the spillout as required by membrane manufacturer's specifications. Splice and seal the membrane in and around the spillout in accordance with membrane manufacturer's specifications. (DON'T LEAVE ANY SHARP EDGES AGAINST THE MEMBRANE.)



STEP 3: Installing Sump face

Place a concealed joint splice in each end of sump face. Install sump face by hooking the fascia snugly over the top of the spring cleat. Press down on the fascia until the drip edge is engaged.



STEP 3: Installing Spillout Face

Place a concealed joint splice in end of fascia. Place fascia snugly over the top of the spring cleat. Press down on the fascia until the drip edge is engaged. Slide fascia into place.