

Installation Guide for TremLock EES AL Fascia & TremLock EES ST Fascia

3735 GREEN ROAD, BEACHWOOD, OH 44122 USA

800-321-7906

WWW.TREMCOSEALANTS.COM

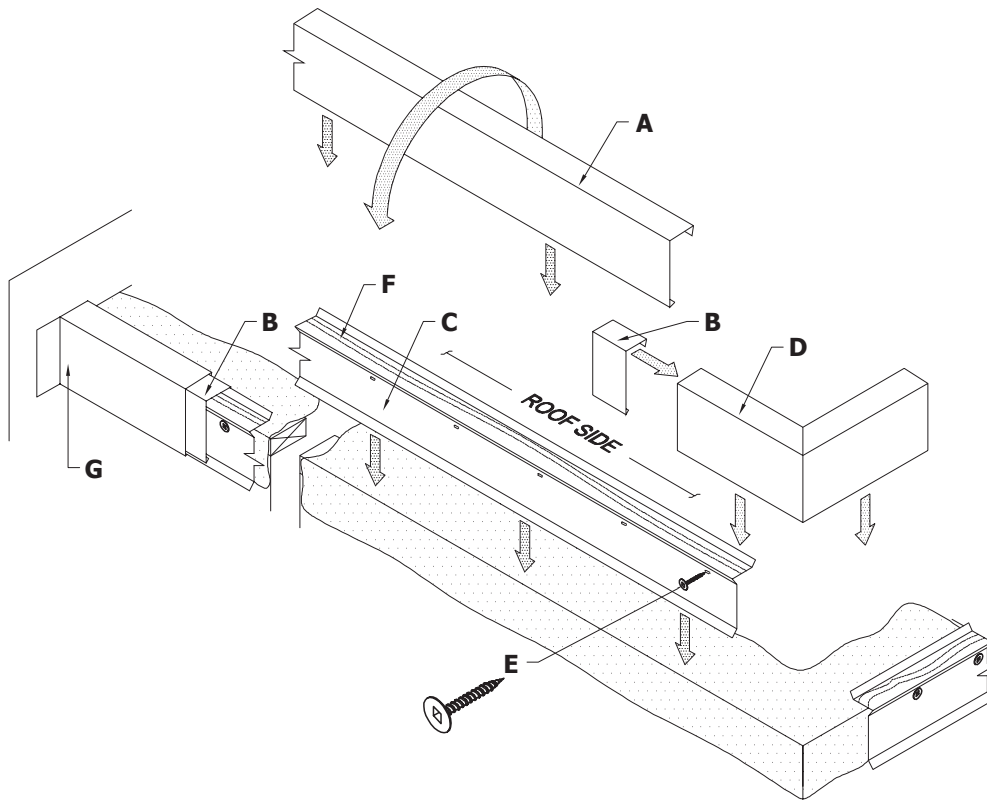
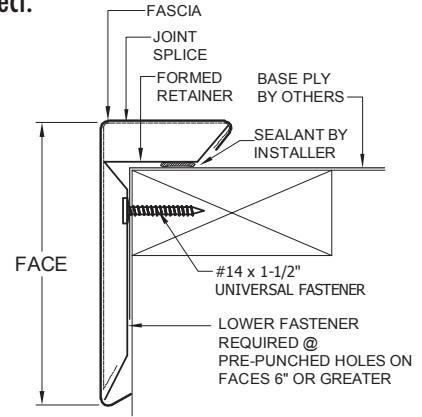
TREMCO[®]
Roofing & Building Maintenance

APPROVALS: Contact manufacturer for verification of test report data on your project.



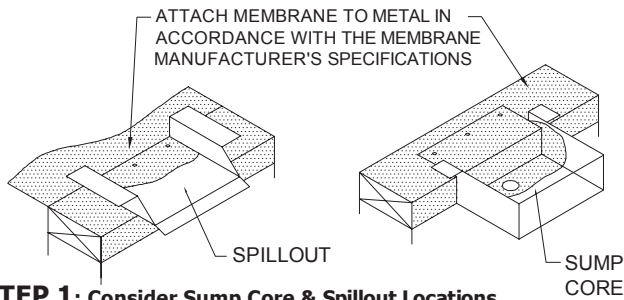
NOTES:

- #1 - Isolate all metal parts from ACQ treated wood or other galvanically incompatible material with appropriate membrane material.
- #2 - Appliance attachments, such as lightning rods, signs, or antennae that penetrate the water seal, induce a galvanic reaction, or otherwise compromise the effectiveness of the roof edge system, shall be eliminated or isolated to prevent problems per section 8.0 of ANSI/SPRI/FM4435/ES-1. Appliances shall be isolated from or not attached to the roof edge system. Consult the lightning protection system manufacturer for specific attachment instructions.



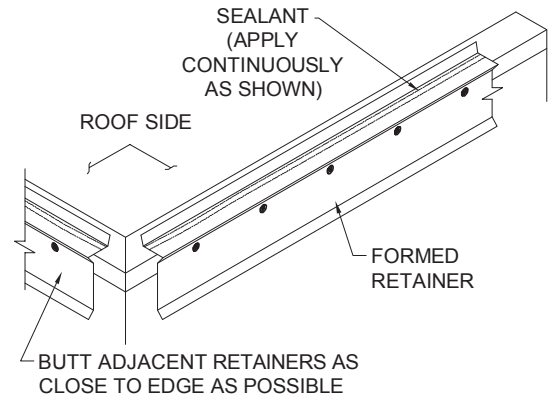
- A. Formed Fascia Cover**
10-ft. Lengths
- B. Concealed Joint Splice**
4-in. Lengths
- C. Formed Retainer**
10-ft. Lengths
- D. Fascia Miter Cover**
(Outside Corner Shown)

- E. #14 x 1½-in. Universal Fastener**
at 12-in. o.c. (6-in. from ends) @ Pre-Punched Holes
Lower Fastener Required @ Pre-Punched Holes
for Faces 6-in. or Greater
- F. Non-Hardening Sealant**
Continuous Bead of Sealant
(By Installer)
- G. End Term**
(Left-Hand Shown)



STEP 1: Consider Sump Core & Spillout Locations

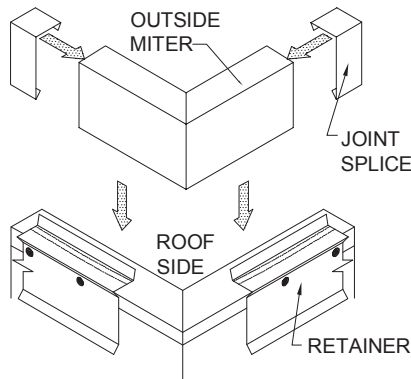
Locate sump cores where downspouts will be located. Sumps are installed prior to the retainer. The retainer butts up to side(s) of sump core. Spillouts are installed along with the fascia lengths as required. Refer to "Sump Core & Spillout Install Guide" for more info on installation if necessary.



STEP 2: Installing Retainer

Apply a continuous bead of the roofing manufacturer's sealant to the bottom side of the retainer. Set the retainer onto the roof edge over membrane placing as close to corner as possible being sure to allow for adjacent retainer. Finally using the mechanical fasteners provided secure the assembly to the substrate. Butt adjacent retainer to initial and repeat.

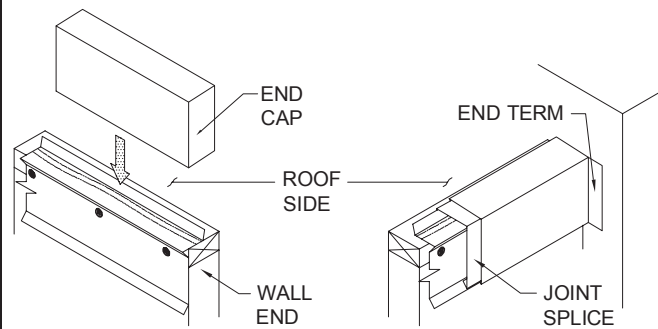
Note: Pre-drilling for Masonry requires a 3/16-in. Pilot Hole.



STEP 3: Installing Fascia Miterers

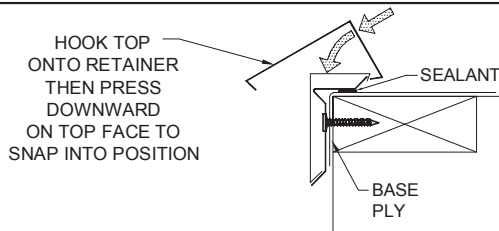
Locate the miter and concealed joint splice for the appropriate corner. Place a splice in each side of the miter, hook the top flange of the miter onto the top flange of the retainer rotate the fascia outward towards the outside of the building. Lastly press down on the top flange of the fascia to snap the bottom hook onto the bottom of the retainer. Make sure that the hook of the fascia has fully engaged onto the retainer.

(DO NOT HOOK THE BOTTOM OF THE SPLICE ONTO THE RETAINER)



STEP 4: Installing Fascia End Caps and End Terms

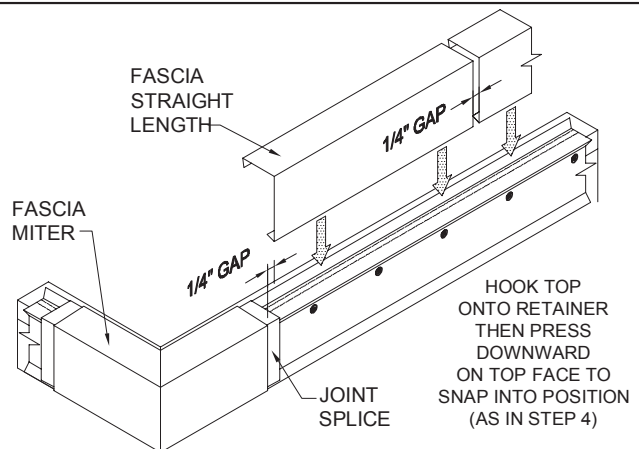
Install end caps and end terms by hooking top and pressing top face downward to snap fascia into place (refer to STEP 4).



STEP 5: Installing Fascia Straight Lengths

Place a concealed joint splice in the opposite end of the installed miter. Install the fascia by hooking top and pressing top face downward to snap fascia into place. **Allow a 1/4-in. gap between fascia sections for thermal expansion.** Review lengths of all straight pieces prior to cutting to avoid creating relatively short sections of fascia adjacent to full length sections.

Note: There must be a splice at every joint.

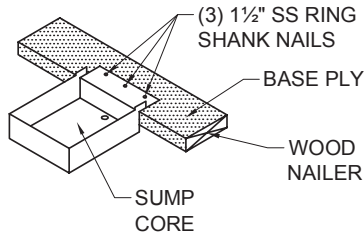


Installation Guide for TremLock EES Fascia - Sump Cores & Spillouts

SUMP CORES

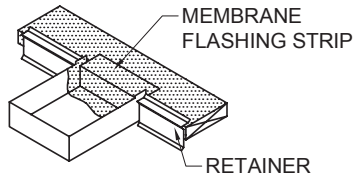
STEP 1: Installing Sump Core

Locate sump cores where downspouts will be located. Sumps are installed prior to the retainer. Fasten sump core to the wood nailer with a min. of (3) 1½-in. ss ring shank nails.



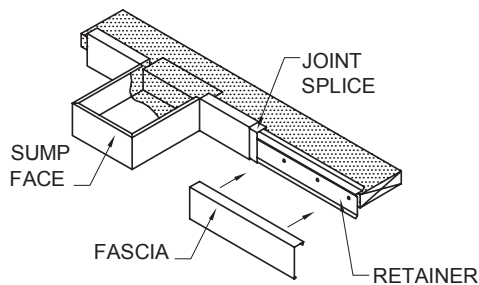
STEP 2: Installing Retainer at Sump Core

Butt retainer to the sump core. Apply membrane flashing strip into the sump core as required by membrane manufacturer's specifications. Splice and seal the membrane in and around the sump core in accordance with membrane manufacturer's specifications.



STEP 3: Installing Sump Face

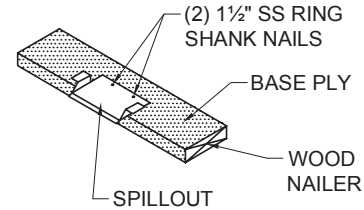
Place a concealed joint splice in each end of sump face. Install sump face by hooking top and pressing top face downward to snap fascia into place.



SPILLOUTS

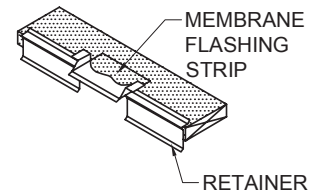
STEP 1: Installing Spillout

Spillouts are installed along with the fascia lengths as required. Spillouts are installed prior to the spring clip. Fasten spillout to the wood nailer with a min. of (2) 1½-in. ss ring shank nails.



STEP 2: Installing retainer at Spillout

Butt retainer to the spillout. Apply membrane flashing strip into the spillout as required by membrane manufacturer's specifications. Splice and seal the membrane in and around the spillout in accordance with membrane manufacturer's specifications. (DO NOT LEAVE ANY SHARP EDGES AGAINST THE MEMBRANE.)



STEP 3: Installing Spillout Face

Place a concealed joint splice in end of fascia. Position spillout fascia in a manner to engage the top of the retainer. Press top face downward to snap fascia into place.

