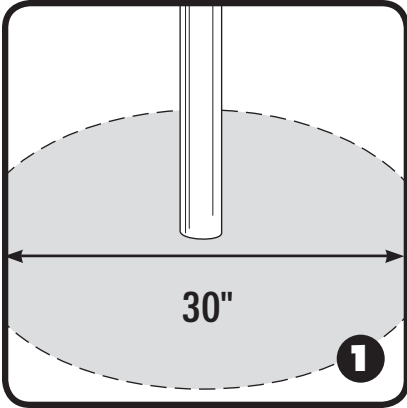




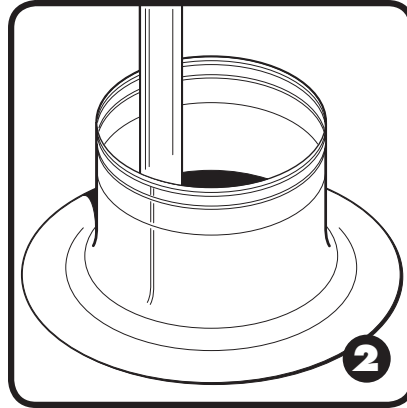
QuadFlash

MULTI-PIPE BOOT

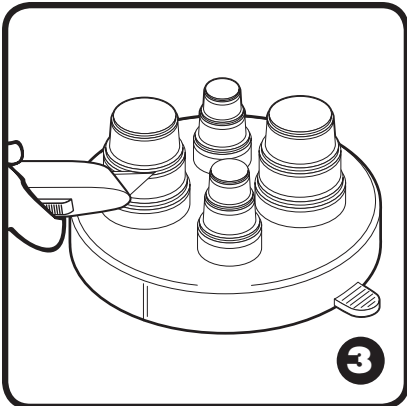
INSTALLATION INSTRUCTIONS



Prepare surface
30-inches in diameter
around penetration.

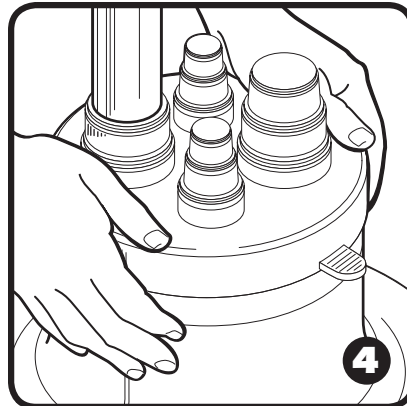


Clean (if necessary)
and prime underside
of flange. Secure base
per roof manufacturer's
details.

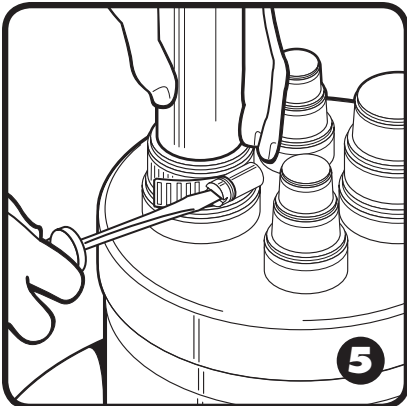


Determine proper size of
pipe penetration and cut
penetration tip(s) to the
appropriate size. Sizes
are marked on the cap.

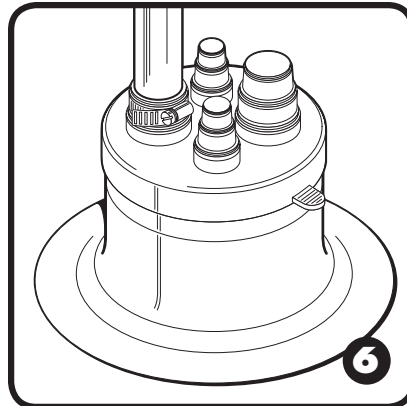
Note: If pipes are not
yet in place, secure
rubber cap onto base,
loosely tighten stainless
steel clamps (provided)
over penetration tips
and go to Step 6.



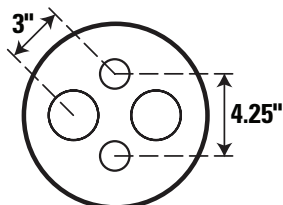
Install rubber cap over
pipe and onto the
aluminum base. Press
edges of cap to ensure
that it locks in place.



Install stainless steel
clamps around rubber
penetration tip and
tighten.



Flash base with
roof cover per
manufacturer's details.



Each cap secures two (2) pipes of
1", 1¼", 1½" or 2" diameter, AND two (2)
pipes of ¾", ½", ¾" or 1" diameter.