



PermaSpan™

Roof to Roof Expansion Joint

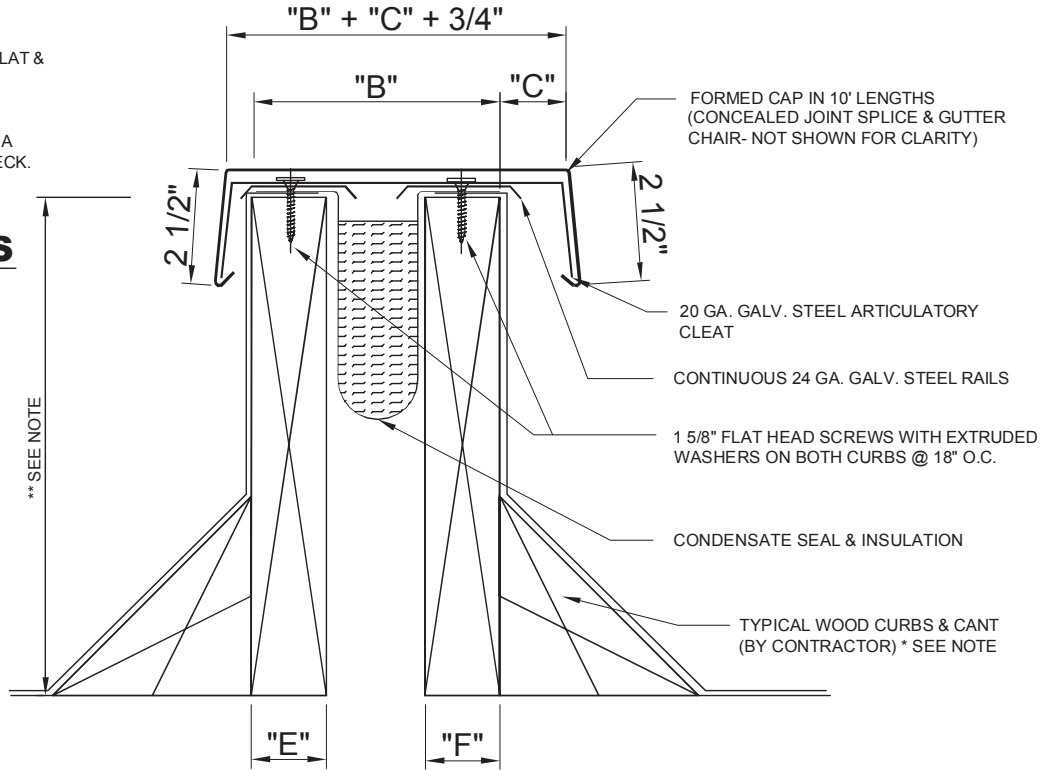
Order Specification Form

* TOP SURFACES OF CURBS MUST BE FLAT & LEVEL IN RELATION TO EACH OTHER

** INDUSTRY STANDARDS RECOMMEND A MINIMUM 10" CURB HEIGHT ABOVE DECK.

SPECIFICATIONS

"B" _____
 "C" _____
 "E" _____
 "F" _____



QUANTITY		CAP MATERIAL		THICKNESS	COLOR	CAP FINISH
___ Total LF	___ Vaulted LF	<input type="checkbox"/> Aluminum	<input type="checkbox"/> 0.040	<input type="checkbox"/> Statuary Bronze (A-01)	<input type="checkbox"/> Mill Finish	
___ Miters (___ Outside, ___ Inside)	___ Vaulted to Straight Miters	<input type="checkbox"/> Galvanized	<input type="checkbox"/> 0.050	<input type="checkbox"/> Bone White (A-23)	<input type="checkbox"/> Prefinished Kynar	
___ End Caps (___ Left, ___ Right)	___ Tee Miters	<input type="checkbox"/> Stainless Steel	<input type="checkbox"/> 0.063	<input type="checkbox"/> Concord Cream (A-02)	<input type="checkbox"/> Post Finished Kynar	
___ End Caps Inserts (___ Left, ___ Right)	___ Zee Miters	<input type="checkbox"/> _____	<input type="checkbox"/> 0.080	<input type="checkbox"/> Medium Bronze (A-05)	<input type="checkbox"/> Prefinished Anodized	
___ End Terms (___ Left, ___ Right)	___ Transition Miters	ACCESSORY TYPE		<input type="checkbox"/> Sandstone (A-06)	<input type="checkbox"/> Post Finished Anodized	
___ Radius LF	___ Ridge Miters	<input type="checkbox"/> Welded	<input type="checkbox"/> 24Ga	<input type="checkbox"/> Dove Gray (A-09)	<input type="checkbox"/> _____	
___ Radius to Straight Miters	___ Valley Miters	<input type="checkbox"/> Metal-Lok	<input type="checkbox"/> 22Ga	<input type="checkbox"/> Shale Gray (A-20)		
___ Radius End Conditions	___ Special Corners		<input type="checkbox"/> _____	<input type="checkbox"/> Sierra Tan (A-26)		

APPROVALS: Contact manufacturer for verification of test report data on your project.		CUSTOMER APPROVAL	
		<input type="checkbox"/> Approved for Fabrication	_____
		<input type="checkbox"/> Approved with Changes	_____
		<input type="checkbox"/> Not Approved	_____
		Title	Date
Job Name:	Job #:	By:	
Customer:	Project Location:	Date:	
Representative:	Architect:	Sheet of	

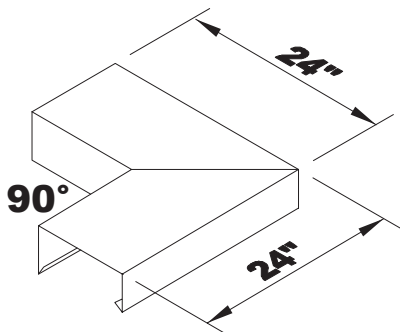
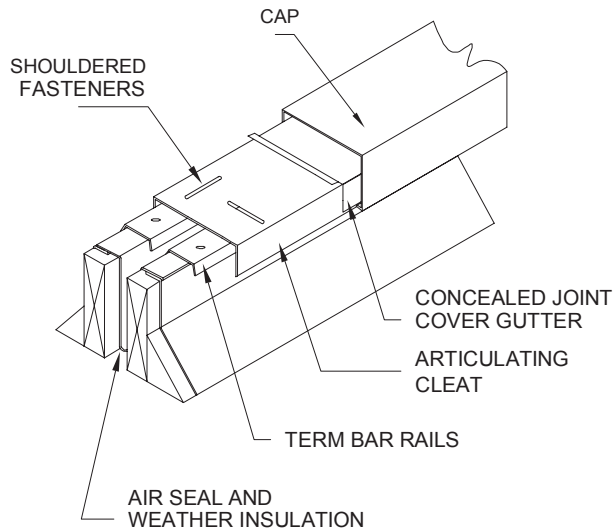


PermaSpan™

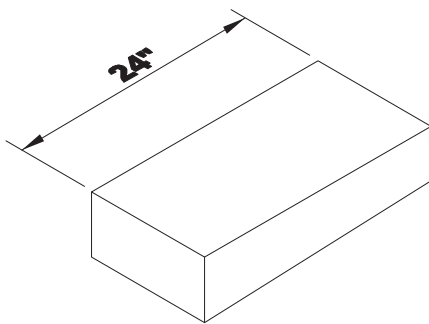
Roof to Roof Expansion Joint

STANDARD COLORS - Other Colors Available

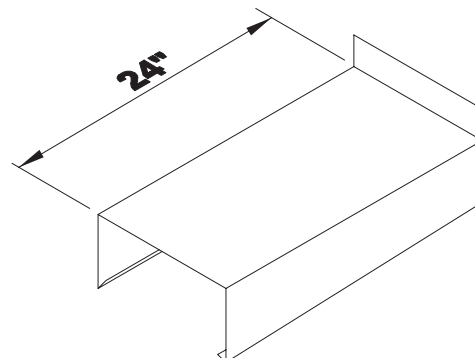
Ascot White	Bone White	Dove Gray	* Silversmith	Shale Gray
Rocky Gray	Sandstone	Champagne	* Titanium	Charcoal Gray
Concord Cream	Rawhide	Sierra Tan	* Coppertone	Mission Red
* Bright Red	Redwood	Boysenberry	Chocolate Brown	* Antique Patina
Siam Blue	Slate Blue	Turquoise	Regal Blue	Statuary Bronze
Black	Hemlock Green	Patina Green	Forest Green	Hartford Green
	* Premium Colors			
Medium Bronze				



STANDARD CORNER



STD. ENDCAP



STD. TERMINATION AT VERTICAL WALL

STANDARD EXPANSION JOINT CORNERS ARE 90° - 24" X 24". STANDARD END CAPS ARE 24" LONG.

FOR SPECIAL CORNER REQUIREMENTS, ATTACH SKETCHES OR CONSULT MFR. FOR ASSISTANCE.

MINIMUM AND MAXIMUM SIZES ARE INDICATED..INTERMEDIATE SIZES MAY BE SPECIFIED WITHIN THESE RANGES. CONSULT MFR. FOR REQUIREMENTS NOT WITHIN THESE RANGES.



Superior productivity.
Superior performance.

4 COMMERCE WAY, ARDEN, NC 28704 USA
800-892-9173 828-676-1700 OMGEDGESYSTEMS.COM

Copyright © 2017 OMG, Inc. All rights reserved.

