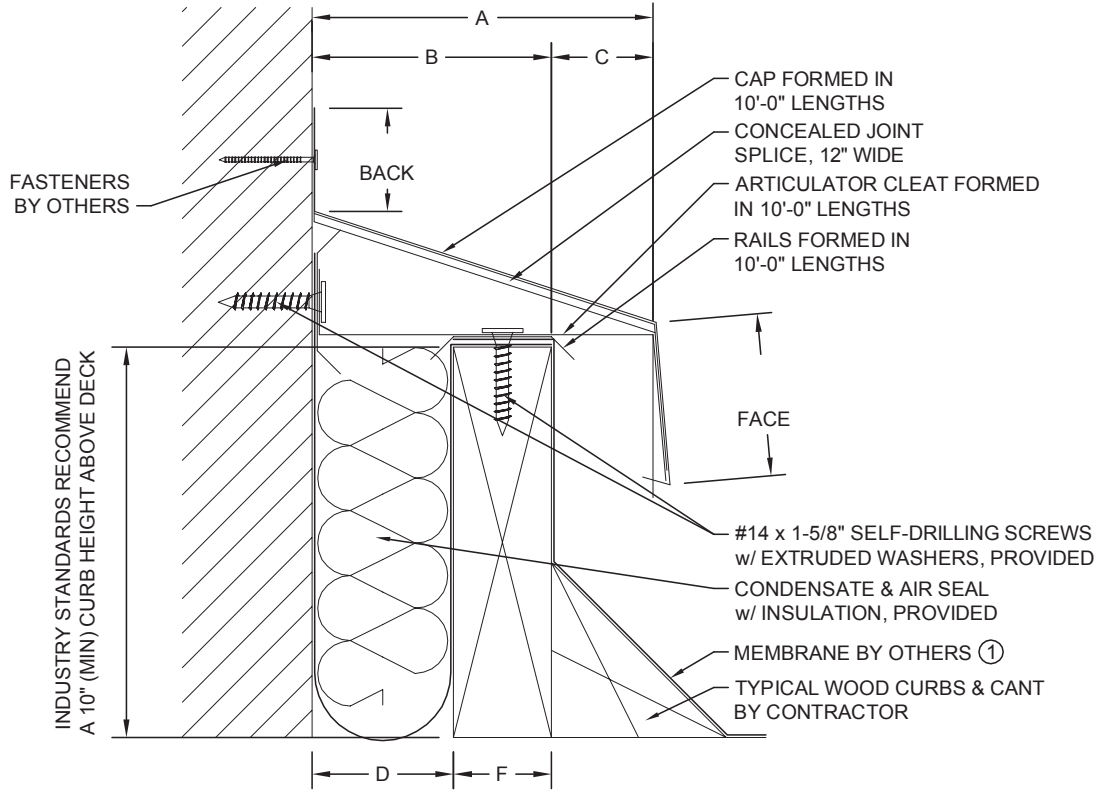




# PermaSpan™

## Roof to Wall Expansion Joint

### Order Specification Form



QUANTITY		CAP MATERIAL		THICKNESS	COLOR	CAP FINISH
___	Total LF	___	Vaulted LF	<input type="checkbox"/> 0.040	<input type="checkbox"/> Statuary Bronze (A-01)	<input type="checkbox"/> Mill Finish
___	Miters (___Outside, ___Inside)	___	Vaulted to Straight Miters	<input type="checkbox"/> 0.050	<input type="checkbox"/> Bone White (A-23)	<input type="checkbox"/> Prefinished Kynar
___	End Caps (___Left, ___Right)	___	Tee Miters	<input type="checkbox"/> 0.063	<input type="checkbox"/> Concord Cream (A-02)	<input type="checkbox"/> Post Finished Kynar
___	End Caps Inserts (___Left, ___Right)	___	Zee Miters	<input type="checkbox"/> 0.080	<input type="checkbox"/> Medium Bronze (A-05)	<input type="checkbox"/> Prefinished Anodized
___	End Terms (___Left, ___Right)	___	Transition Miters	<input type="checkbox"/> 24Ga	<input type="checkbox"/> Sandstone (A-06)	<input type="checkbox"/> Post Finished Anodized
___	Radius LF	___	Ridge Miters	<input type="checkbox"/> 22Ga	<input type="checkbox"/> Dove Gray (A-09)	<input type="checkbox"/> _____
___	Radius to Straight Miters	___	Valley Miters	<input type="checkbox"/> ____	<input type="checkbox"/> Shale Gray (A-20)	
___	Radius End Conditions	___	Special Corners	<input type="checkbox"/> Welded	<input type="checkbox"/> Sierra Tan (A-26)	
				<input type="checkbox"/> Metal-Lok	<input type="checkbox"/> _____	

<b>APPROVALS:</b> Contact manufacturer for verification of test report data on your project.		<b>CUSTOMER APPROVAL</b>	
		<input type="checkbox"/> Approved for Fabrication	_____
		<input type="checkbox"/> Approved with Changes	Authorized Customer Signature
		<input type="checkbox"/> Not Approved	_____
		Title	Date
Job Name:	Job #:	By:	
Customer:	Project Location:	Date:	
Representative:	Architect:	Sheet of	

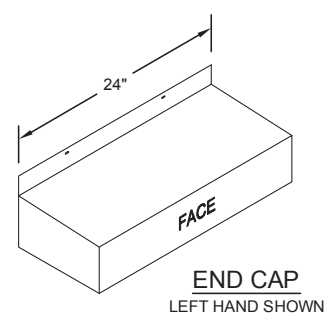
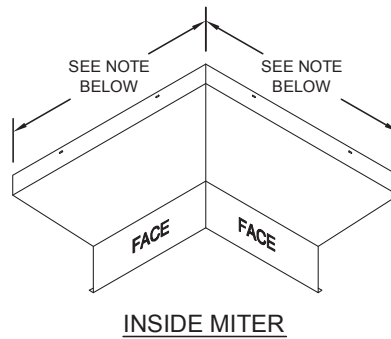
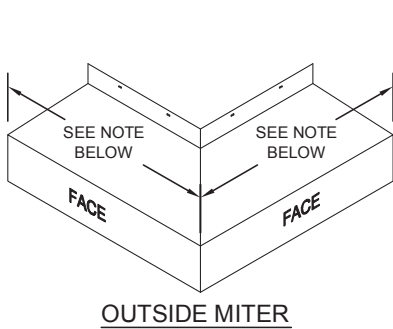
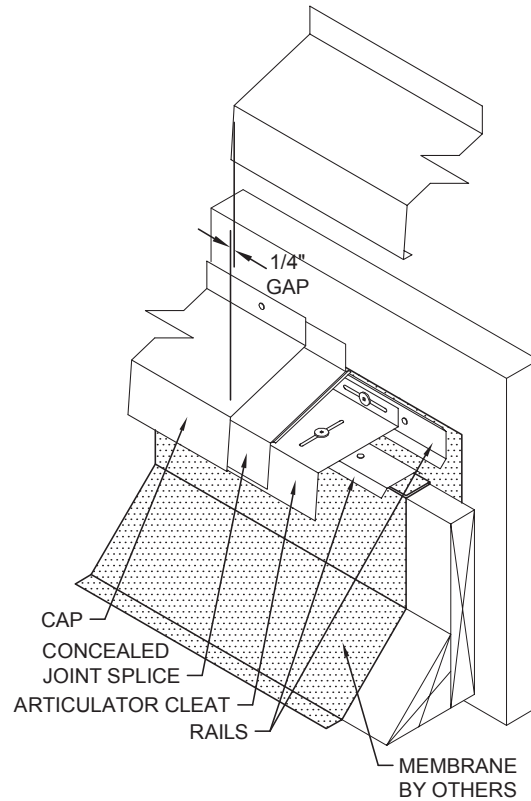


# PermaSpan™

## Roof to Wall Expansion Joint

### STANDARD COLORS - Other Colors Available

Ascot White	Bone White	Dove Gray	Silversmith	Shale Gray
Rocky Gray	Sandstone	Champagne	Titanium	Charcoal Gray
Concord Cream	Rawhide	Sierra Tan	Coppertone	Mission Red
Bright Red	Redwood	Boysenberry	Chocolate Brown	Antique Patina
Siam Blue	Slate Blue	Turquoise	Regal Blue	Statuary Bronze
Black	Hemlock Green	Patina Green	Forest Green	Hartford Green
	* Premium Colors			
Medium Bronze				



Standard fascia miter leg lengths: 24-in. nominal  
 Standard fascia miter angle is 90°  
 For special miter requirements, attach sketches or  
 consult manufacturer for assistance.



Superior productivity.  
 Superior performance.

4 COMMERCE WAY, ARDEN, NC 28704 USA  
 800-892-9173 828-676-1700 OMGEDGESYSTEMS.COM

Copyright © 2017 OMG, Inc. All rights reserved.

