



TerminEdge™ & TerminEdge AR for single-ply.

FASCIA SYSTEM



FASCIA SYSTEM

PRODUCT DATA SPECIFICATIONS

PRODUCT DESCRIPTION

OMG's two-piece snap-on fascia for single-ply applications. TerminEdge and TerminEdge AR Fascia provide superior protection from wind and water penetration.

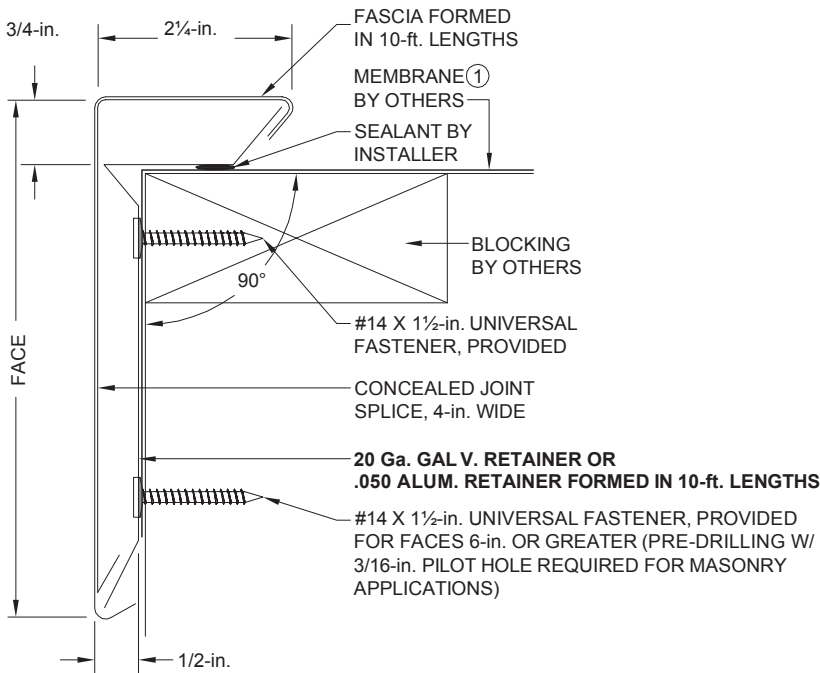
FEATURES & BENEFITS

- Formed galvanized steel retainer or a formed aluminum retainer with self-locating, pre-punched and slotted holes reduces installation time.
- Sizes range from 3.75- to 13-inches.
- ANSI/SPRI/FM-4435 ES-1 Tested and Certified.
- Warranted in wind conditions up to 155 mph and comes with a 25-year, Category 5 Wind Warranty.

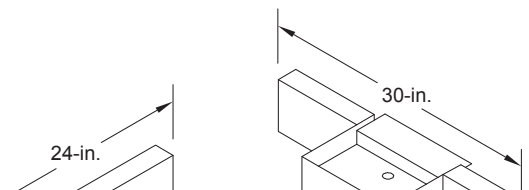
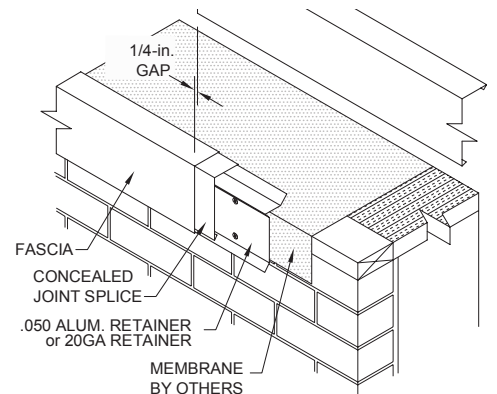


Standard Fascia Sizes	Face Height	Gauge	Nailers* Covered
TE 375	3.75-in.	All sizes available in prefinished 22 & 24 gauge galvanized steel; .050-in., .063-in. aluminum; 22 gauge Stainless Steel	1
TE 525	5.25-in.		2
TE 675	6.75-in.		3
TE 825	8.25-in.		4
TE 1125	11.25-in.		6

Custom Sizes are available from 3.75- to 13-in.
*Nominal 2-in. x 6-in. nailer actual dimension is 1.5-in. tall



① Coordinate installation with membrane manufacturer.





TerminEdge™ & TerminEdge AR for single-ply.

FASCIA SYSTEM



FASCIA SYSTEM

INSTALLATION PROCEDURE

SPECIFICATIONS *(short form)*

TerminEdge fascia is a low profile roof edge for fully adhered or mechanically attached single-ply roof membranes.

TerminEdge fascia cap shall be formed metal with a galvanized steel retainer.

TerminEdge AR fascia is a low profile roof edge for fully adhered or mechanically attached single-ply roof membranes. The fascia cap shall be formed metal with a .050 aluminum retainer.

The roof edge shall be TerminEdge (insert model number). Fascia and retainer will be in 10-ft. (3.04 m) lengths.

DESCRIPTION

TerminEdge is a two-part assembly with a rigid formed retainer, and a decorative snap-on fascia cover for single-ply roofs. The fascia cap is available in aluminum, .040-in. (1 mm), .050-in. (1.25 mm) or .063-in. (1.60 mm) or 22 ga. and 24 ga. Kynar 500® coated galvanized steel and with concealed splice plates. Retainer will be 20 gauge galvanized steel or .050 aluminum with self-locating pre-punched slotted holes for fasteners at 12-in. (304.8 mm) on center in 10-ft. (3.04 m) standard lengths.

INSTALLATION PROCEDURES

This is a general outline. Refer to our full installation guide for details.

Preparation:

The roof edge must be level and wood nailers must be straight.

Install the roofing membrane according to the roofing membrane manufacturer's instructions. The edge of the membrane should extend over the face of the building approximately 3-in. (76.2 mm) and be secured by the retainer section or as required by the membrane

manufacturer. Before the retainer is installed, apply a continuous bead of the roof manufacturer's sealant to the bottom side of the retainer. Secure the retainer using OMG's #14 Universal Fasteners (for wood, metal and concrete). Locate the fasteners in the pre-punched slotted holes. Unless otherwise specified, fasteners should be located every 12-in. (304.8 mm).

Locate the fasteners in the pre-punched holes as required. Install concealed joint splices between each fascia section. Hook the joint splice from the top and allow it to hang down and rest on the face of the retainer. Do not hook the splice plate under the retainer. Install fascia by hooking the back flange over the top of the retainer. Snap the fascia on by pushing down firmly on the leading edge until bottom snaps over the drip edge of the retainer. Leave a 1/4-in. gap at each joint for thermal movement. Coordinate with membrane manufacturer before starting installation.

FINISHES

- Natural mill aluminum
- Pre-coat Kynar 500 — from the manufacturer's standard color chart
- Post-coat Kynar 500 — industry standard two coat colors
- Non-standard Kynar 500 — colors requiring multiple coatings or protective clear coats
- Anodized aluminum – clear, bronze and black

GUARANTEE

A. Manufacturer's Standard Warranty: Warranted materials shall be free of defects in material and workmanship for five years after shipment. If, after inspection, the manufacturer

agrees that materials are defective, the manufacturer shall at their option repair or replace them. For decorative finish warranty, consult manufacturer.

B. Special 25-Year Category 5 Warranty: Manufacturer shall guarantee that a standard size roof edge system, when installed per manufacturer's instructions, will not blow off, leak, or cause membrane failure, even in wind conditions up to 155 mph, or the manufacturer shall replace or repair its materials.



C. Decorative Finish Warranty (*consult Manufacturer*).

QUALITY ASSURANCE

The fascia product shall be listed in the current Factory Mutual Research Corporation Approval Guide approved by ANSI/SPRI/FM 4435/ES-1 SPRI Test Method RE-2 Pull-Off test for fascia. Fascia shall be certified by the manufacturer to design pressures as indicated in current edition of Wind Resistance Standard for Edge Systems Used with Low Slope Roofing Systems.

TECHNICAL SERVICES

Shop drawings are available from the factory. Product samples, detail sheets, color chips and color charts are ready for your submittal package. Long form specifications and CAD details are available on our website. For personal assistance with questions or submittals, contact your local OMG representative.



EdgeSystems

4 COMMERCE WAY, ARDEN, NC, 28704 USA
800-892-9173 828-7676-1700 OMGROOFING.COM

Copyright © 2018 OMG, Inc. All rights reserved. TerminEdge is a trademark of OMG, Inc.

Superior productivity.
Superior performance.

