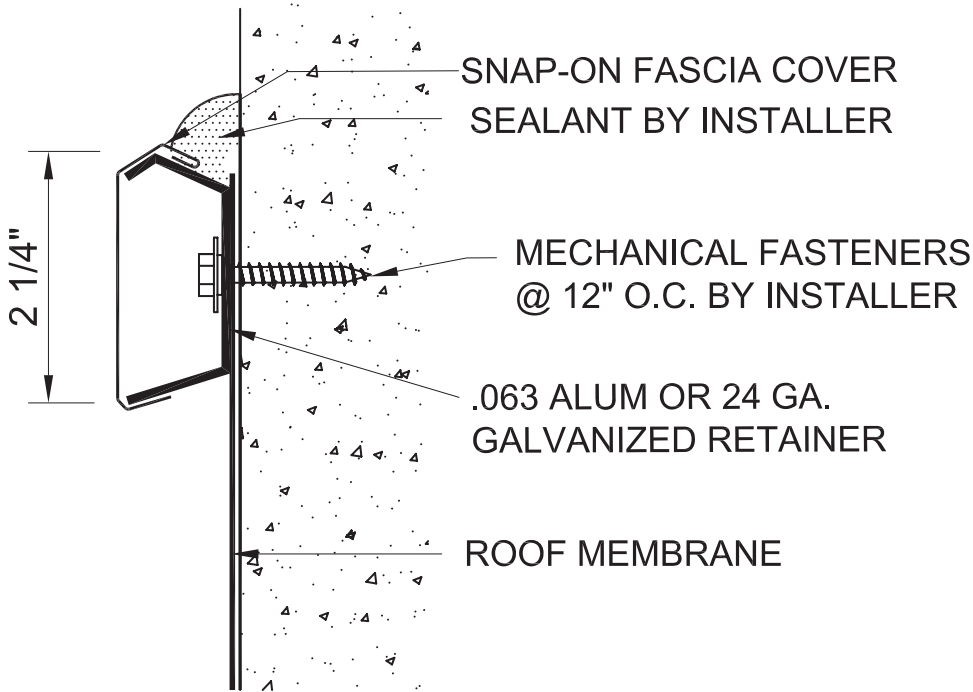




Snap-On Face Reglet

Order Specification Form



QUANTITY	CAP MATERIAL	THICKNESS	CORNER TYPE	CAP FINISH
<input type="text"/> Total LF COLOR <input type="text"/>	<input type="checkbox"/> Aluminum <input type="checkbox"/> Galvanized <input type="checkbox"/> _____	<input type="checkbox"/> 0.032 <input type="checkbox"/> 24GA <input type="checkbox"/> _____	Factory Fabricated Corners are Not Available RETAINER GAUGE <input type="checkbox"/> 24GA (STD) <input type="checkbox"/> .063 Aluminum	<input type="checkbox"/> Mill Finish <input type="checkbox"/> Prefinished Kynar <input type="checkbox"/> Post Finished Kynar <input type="checkbox"/> Prefinished Anodized <input type="checkbox"/> Post Finished Anodize <input type="checkbox"/> _____

APPROVALS: Contact manufacturer for verification of test report data on your project.		CUSTOMER APPROVAL	
	Florida Product Approval #FL7424	NOA#14-1202.08	
<input type="checkbox"/> Approved for Fabrication <input type="checkbox"/> Approved with Changes <input type="checkbox"/> Not Approved		Authorized Customer Signature _____ Title _____ Date _____	
Job Name:	Job #:	By:	
Customer:	Project Location:	Date:	
Representative:	Architect:	Sheet of _____	



Superior productivity.
Superior performance.

4 COMMERCE WAY, ARDEN, NC 28704 USA
800-892-9173 828-676-1700 OMGEDGESYSTEMS.COM

Copyright © 2017 OMG, Inc. All rights reserved.

