



Installation Guide for EdgeBox-RI

4 COMMERCE WAY, ARDEN, NC 28704 USA
800-892-9173 828-676-1700
OMGEDGESYSTEMS.COM



Installation Guide for EdgeBox-RI

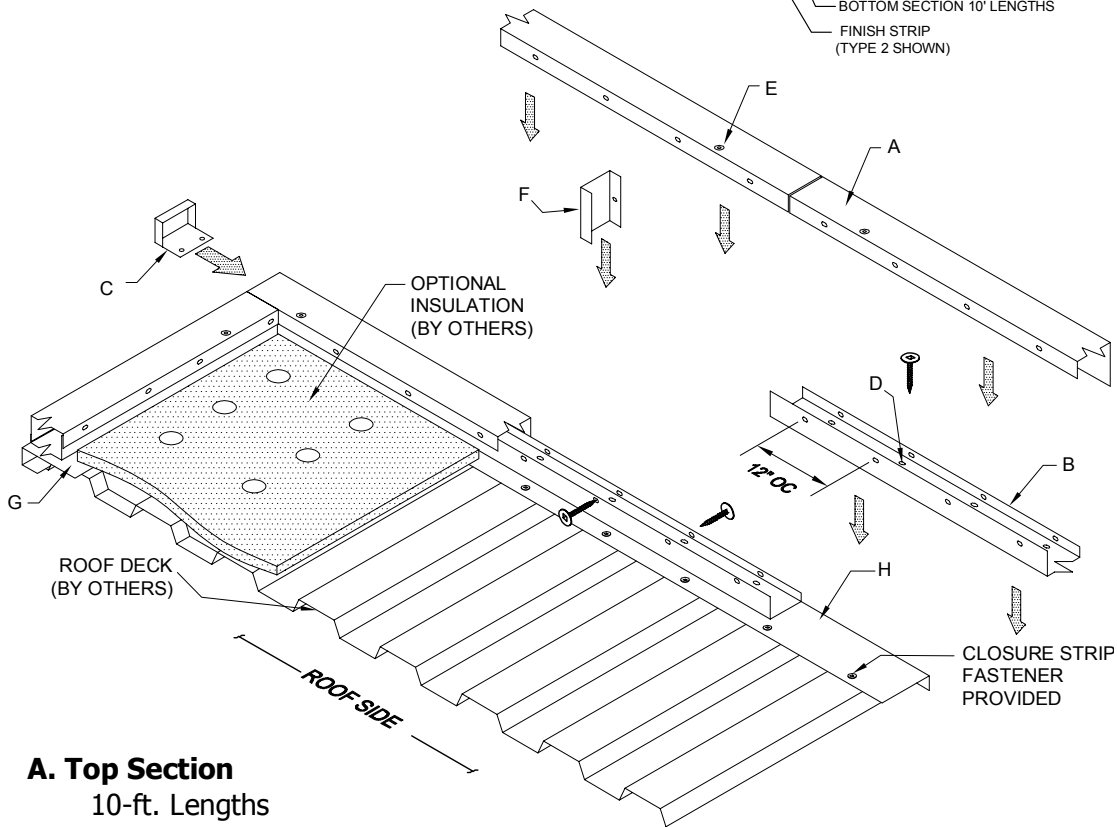
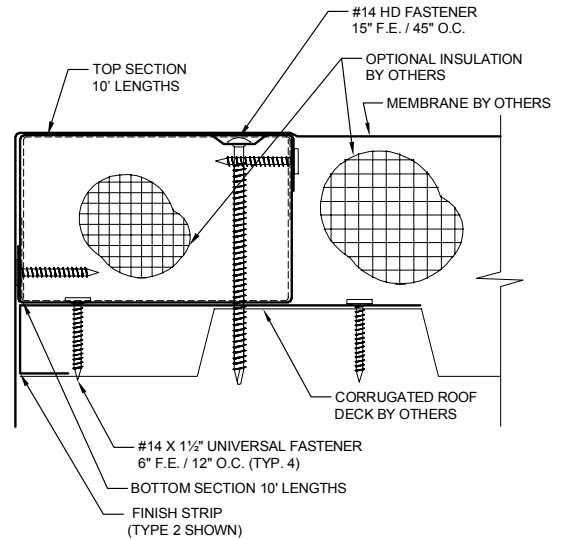
APPROVALS: Contact manufacturer for verification of test report data on your project.

ANSI/SPRI/FM4435
/ES-1 TESTED



NOTES:

- #1 - Isolate all metal parts from ACQ treated wood or other galvanically incompatible material with appropriate membrane material.
- #2 - Appliance attachments, such as lightning rods, signs, or antennae that penetrate the water seal, induce a galvanic reaction, or otherwise compromise the effectiveness of the roof edge system, shall be eliminated or isolated to prevent problems per section 8.0 of ANSI/SPRI/FM4435/ES-1. Appliances shall be isolated from or not attached to the roof edge system. Consult the lightning protection system manufacturer for specific attachment instructions.



A. Top Section

10-ft. Lengths

B. Bottom Section

10-ft. Lengths

C. End Cap Insert

Slides into exposed end of bottom section

D. #14 X 1 1/2-in. Universal Fastener

Included and required

E. #14 HD Roofing Fastener

Size varies based on height of EdgeBox
min. 1-in. penetration required

F. EdgeBox Spine

Required for face greater than 6-in.

G. Finish Strip

Parallel to deck flutes
(required for metal deck)

H. Closure Strip

Perpendicular to deck flutes
(required for metal deck)

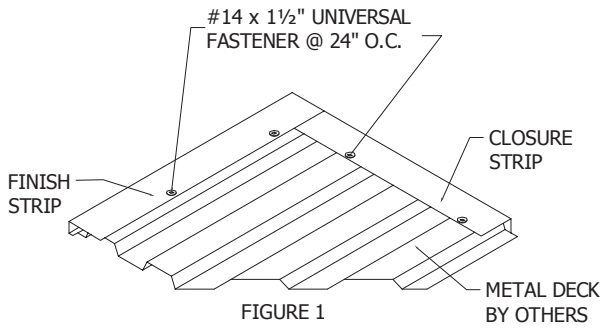


FIGURE 1

STEP 1: Installing Closure Strip & Finish Strip

Required for metal deck only. Place appropriate strips on the edge of the metal deck. Secure in place with #14 x 1½-in. universal fastener (5 per 10-ft. section). Fastener heads not to interfere with bottom sections.

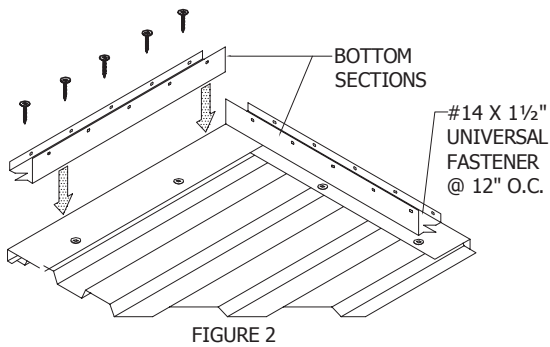


FIGURE 2

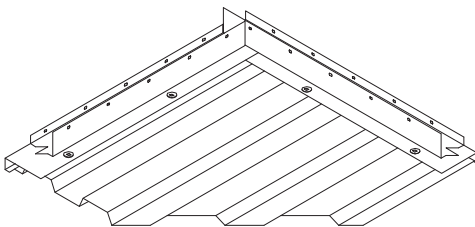


FIGURE 3

STEP 2: Installing Bottom Section

Starting at the corners, place bottom sections as shown above working from the corners to the center. Secure in place using provided #14 x 1½-in. universal fasteners through pre-punched holes (10 per 10-ft. section). Butt adjacent sections.

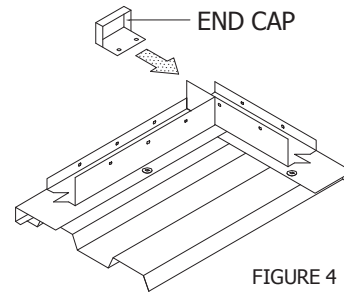


FIGURE 4

STEP 4: Installing End Caps

Place end cap in exposed end of bottom section, secure with provided #14 x 1½-in. universal fastener (2 per end cap).

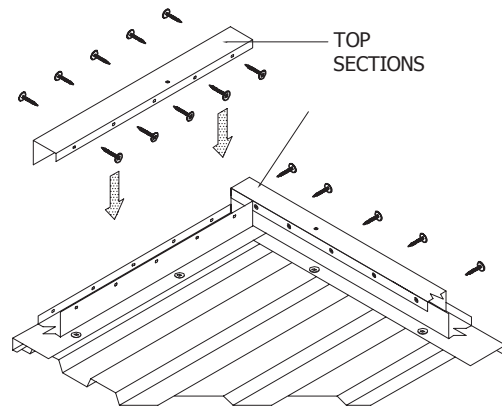


FIGURE 5

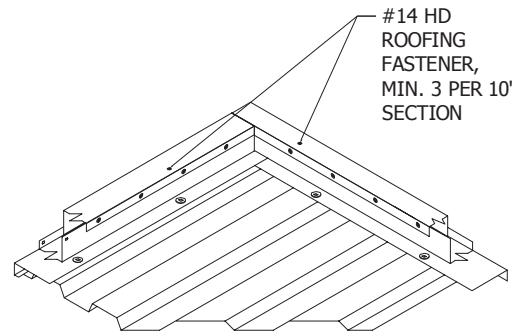


FIGURE 6

STEP 5: Installing Top Section

Starting at the corners, place top sections as shown in FIGURE 5. Working from the corners to the center, consider lengths of middle pieces prior to cutting to avoid creating relatively short sections (less than 5-ft.). Secure top to bottom using # 14 X 1½-in. universal fastener through pre-punched holes in the face (10 per 10-ft. section), and through pre-punched holes in the back (10 per 10-ft. section). Install the #14 HD Roofing Fasteners through the pre-punched holes and into the substrate. Minimum 3 HD fasteners required for 10-ft. section. Butt adjacent sections.